

# Anti Vibration Mounts

## Isolation Products

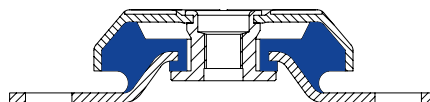


# Mounts

## Overview

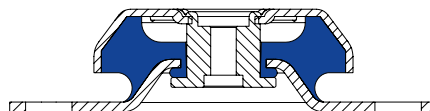
### Hard Bell Mounts

3



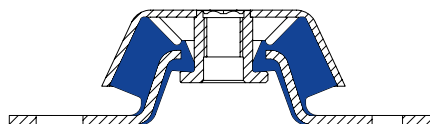
### Soft Bell Mounts

6



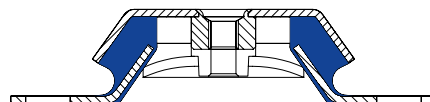
### Type CCFQ-CFE-CFAB

10



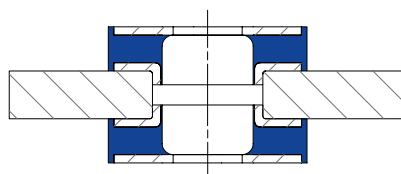
### Type CF-CFQ

13



### Universal Mounts

16



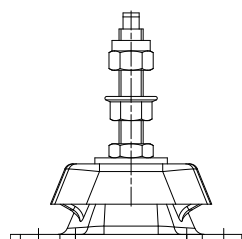
### Cones

20



### Height Adjuster

30



# Hard Bell Mounts

## Mounts

Mounts which allow a high level of insulation especially used on generators, engines and systems with an operating frequency at around 25 Hz (1500 rpm). Axial stresses are perfectly absorbed and side deflections limited to guarantee a good stability. Hard bell mounts are designed with a fail-safe function making it an ideal solution for applications where safety is paramount.

### Applications

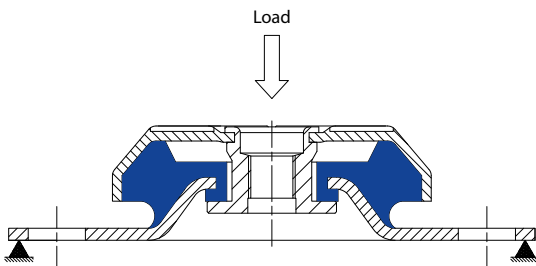
- Gensets
- Engines
- Tooling machinery
- Pumps
- Special equipment
- HVAC

### Standard Production

- Bell and flange: DD13 or DC04 steel (UNI EN 10111 o UNI EN 10130)
- Fail-safe device: 11SMnPb37 (UNI EN 10087)
- Natural rubber NR
- Zinc plated in accordance with CE standards CHROME VI free, white
- Stiffness tolerance +/- 15%

### Options & Additional Parts

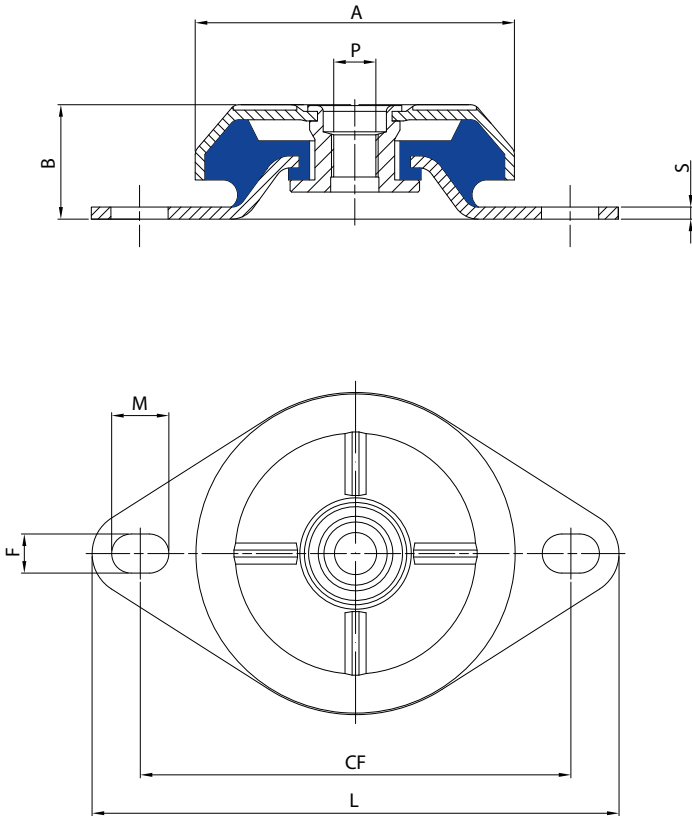
- Stainless steel version
- Height adjuster



Hard bell mounts can withstand up to 2g of shock forces or 5g occasional shock forces with regard to the load without permanent deformation or failing

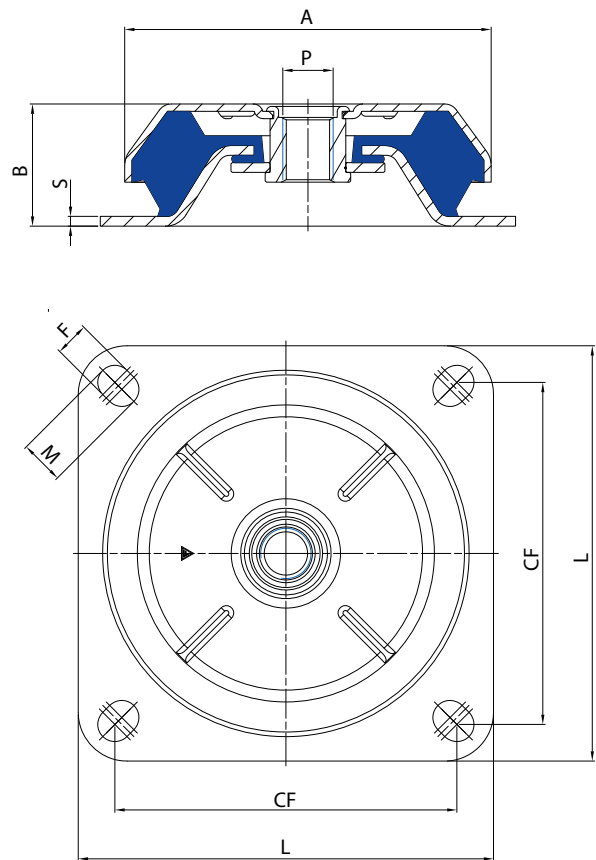
## Type CFBMH

### Type 1



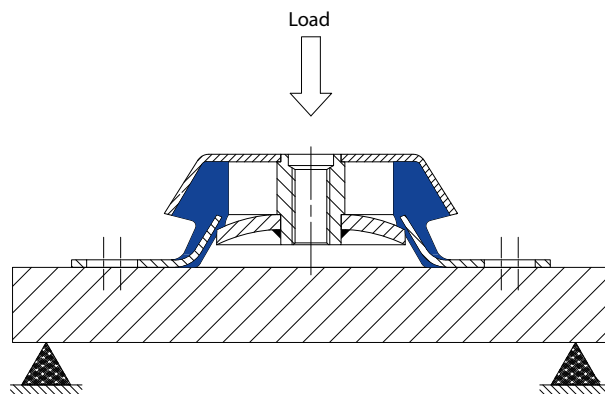
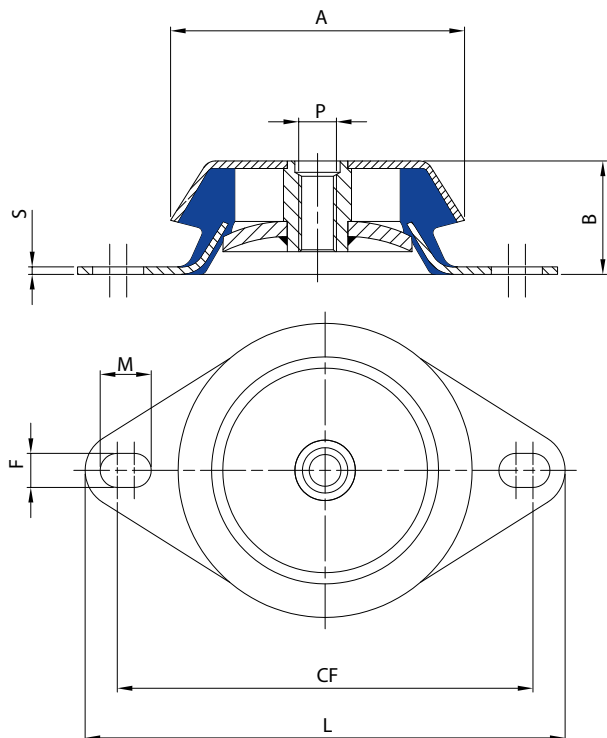
## Type CFBMH

### Type 2



| Item          | Hardness (IRHD) | A   | B  | P   | FxM     | CF    | L   | S   | Average Stiffness (daN/mm) | Max. Load (daN) | Max Deflec. (mm) | Type |
|---------------|-----------------|-----|----|-----|---------|-------|-----|-----|----------------------------|-----------------|------------------|------|
| CFBMH783010W  | 45              | 78  | 30 | M10 | 9X12    | 110   | 135 | 2,5 | 47,0                       | 108,0           | 2,3              | 1    |
| CFBMH783010M  | 60              | 78  | 30 | M10 | 9X12    | 110   | 135 | 2,5 | 116,0                      | 267,0           | 2,3              | 1    |
| CFBMH783012W  | 45              | 78  | 30 | M12 | 9X12    | 110   | 135 | 2,5 | 47,0                       | 108,0           | 2,3              | 1    |
| CFBMH783012M  | 60              | 78  | 30 | M12 | 9X12    | 110   | 135 | 2,5 | 116,0                      | 267,0           | 2,3              | 1    |
| CFBMH923510W  | 45              | 92  | 35 | M10 | 10X15   | 123,5 | 150 | 3   | 50,0                       | 175,0           | 3,5              | 1    |
| CFBMH923510M  | 60              | 92  | 35 | M10 | 10X15   | 123,5 | 150 | 3   | 90,0                       | 315,0           | 3,5              | 1    |
| CFBMH923512W  | 45              | 92  | 35 | M12 | 10X15   | 123,5 | 150 | 3   | 50,0                       | 175,0           | 3,5              | 1    |
| CFBMH923512M  | 60              | 92  | 35 | M12 | 10X15   | 123,5 | 150 | 3   | 90,0                       | 315,0           | 3,5              | 1    |
| CFBMH1063812W | 45              | 106 | 38 | M12 | 13X19   | 143   | 175 | 4   | 70,0                       | 252,0           | 3,6              | 1    |
| CFBMH1063812M | 60              | 106 | 38 | M12 | 13X19   | 143   | 175 | 4   | 150,0                      | 450,0           | 3,0              | 1    |
| CFBMH1063816W | 45              | 106 | 38 | M16 | 13X19   | 143   | 175 | 4   | 70,0                       | 252,0           | 3,6              | 1    |
| CFBMH1063816M | 60              | 106 | 38 | M16 | 13X19   | 143   | 175 | 4   | 150,0                      | 450,0           | 3,0              | 1    |
| CFBMH1254316W | 45              | 125 | 43 | M16 | 14,5X20 | 156   | 192 | 4   | 88,0                       | 352,0           | 4,0              | 1    |
| CFBMH1254316M | 60              | 125 | 43 | M16 | 14,5X20 | 156   | 192 | 4   | 185,0                      | 740,0           | 4,0              | 1    |
| CFBMH1444816W | 45              | 144 | 48 | M16 | 14,5X18 | 182   | 215 | 5   | 100,0                      | 700,0           | 7,0              | 1    |
| CFBMH1444816M | 60              | 144 | 48 | M16 | 14,5X18 | 182   | 215 | 5   | 200,0                      | 1340,0          | 6,7              | 1    |
| CFBMH1605820W | 45              | 160 | 58 | M20 | 14,5X18 | 140   | 170 | 5   | 120,0                      | 840,0           | 7,0              | 2    |
| CFBMH1605820M | 60              | 160 | 58 | M20 | 14,5X18 | 140   | 170 | 5   | 220,0                      | 1540,0          | 7,0              | 2    |
| CFBMH1806620W | 45              | 180 | 66 | M20 | 14,5X18 | 160   | 190 | 5   | 160,0                      | 1120,0          | 7,0              | 2    |
| CFBMH1806620M | 60              | 180 | 66 | M20 | 14,5X18 | 160   | 190 | 5   | 320,0                      | 2240,0          | 7,0              | 2    |

## Type CCF



Hard bell mounts can withstand up to 2g of shock forces or 5g occasional shock forces with regard to the load without permanent deformation or failing

| Item          | Hardness (IRHD) | A   | B  | P   | FxM    | CF      | L   | S | Average Stiffness (daN/mm) | Max. Load (daN) | Max Deflec. (mm) |
|---------------|-----------------|-----|----|-----|--------|---------|-----|---|----------------------------|-----------------|------------------|
| CCF603510W    | 45              |     |    |     |        |         |     |   | 45,0                       | 110,0           |                  |
| CCF603510M    | 60              | 60  | 35 | M10 | 8,3X16 | 75 90   | 106 | 2 | 80,0                       | 190,0           | 2,4              |
| CCF603510H    | 70              |     |    |     |        |         |     |   | 120,0                      | 290,0           |                  |
| CCF603512W    | 45              |     |    |     |        |         |     |   | 45,0                       | 110,0           |                  |
| CCF603512M    | 60              | 60  | 35 | M12 | 8,3X16 | 75 90   | 106 | 2 | 80,0                       | 190,0           | 2,4              |
| CCF603512H    | 70              |     |    |     |        |         |     |   | 120,0                      | 290,0           |                  |
| CCF623110W    | 45              |     |    |     |        |         |     |   | 50,0                       | 125,0           |                  |
| CCF623110M    | 60              | 62  | 31 | M10 | 8,3X16 | 75 90   | 106 | 3 | 85,0                       | 212,0           | 2,5              |
| CCF623110H    | 70              |     |    |     |        |         |     |   | 125,0                      | 312,0           |                  |
| CCF623112W    | 45              |     |    |     |        |         |     |   | 50,0                       | 125,0           |                  |
| CCF623112M    | 60              | 62  | 31 | M12 | 8,3X16 | 75 90   | 106 | 3 | 85,0                       | 212,0           | 2,5              |
| CCF623112H    | 70              |     |    |     |        |         |     |   | 125,0                      | 312,0           |                  |
| CCF773010W    | 45              |     |    |     |        |         |     |   | 42,0                       | 147,0           |                  |
| CCF773010M    | 60              | 77  | 30 | M10 | 9      | 110     | 128 | 2 | 80,0                       | 280,0           | 3,5              |
| CCF773010H    | 70              |     |    |     |        |         |     |   | 120,0                      | 420,0           |                  |
| CCF823510W    | 45              |     |    |     |        |         |     |   | 65,0                       | 200,0           |                  |
| CCF823510M    | 60              | 82  | 35 | M10 | 11     | 110     | 128 | 2 | 115,0                      | 345,0           | 3,0              |
| CCF924512W    | 45              |     |    |     |        |         |     |   | 100,0                      | 300,0           |                  |
| CCF924512M    | 60              | 92  | 45 | M12 | 10,5   | 110     | 138 | 3 | 195,0                      | 585,0           | 3,0              |
| CCF924512H    | 70              |     |    |     |        |         |     |   | 310,0                      | 930,0           |                  |
| CCF1063812W   | 45              |     |    |     |        |         |     |   | 120,0                      | 420,0           |                  |
| CCF1063812M   | 60              | 106 | 38 | M12 | 14X18  | 138 146 | 172 | 3 | 220,0                      | 660,0           | 3,5              |
| CCF1063812H   | 70              |     |    |     |        |         |     |   | 320,0                      | 960,0           |                  |
| CCF1063816W   | 45              |     |    |     |        |         |     |   | 120,0                      | 420,0           |                  |
| CCF1063816M   | 60              | 106 | 38 | M16 | 14X18  | 138 146 | 172 | 3 | 220,0                      | 660,0           | 3,5              |
| CCF1063816H   | 70              |     |    |     |        |         |     |   | 320,0                      | 960,0           |                  |
| CCF1085016/5W | 45              |     |    |     |        |         |     |   | 120,0                      | 400,0           |                  |
| CCF1085016/5M | 60              | 108 | 50 | M16 | 16,5   | 160     | 190 | 5 | 220,0                      | 660,0           | 3,3              |
| CCF1085016/5H | 70              |     |    |     |        |         |     |   | 320,0                      | 960,0           |                  |

# Soft Bell Mounts

## Mounts

Mounts which allow a high level of insulation especially used on generators, engines and systems with an operating frequency at around 25 Hz (1500 rpm). Axial stresses are perfectly absorbed and side deflections limited to guarantee a good stability. Soft bell mounts are designed with a fail-safe function making it an ideal solution for applications where safety is paramount.

### Applications

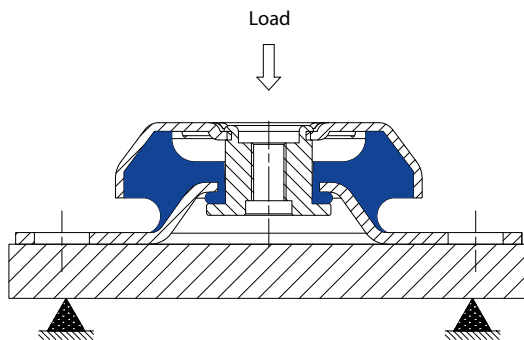
- Gensets
- Engines
- Tooling machinery
- Pumps
- Special equipment
- HVAC

### Standard Production

- Bell and flange: DD13 or DC04 steel (UNI EN 10111 o UNI EN 10130)
- Fail-safe device: 11SMnPb37 (UNI EN 10087)
- Natural rubber NR
- Zinc plated in accordance with CE standard CHROME VI free, white
- Stiffness tolerance +/- 15%

### Options & Additional Parts

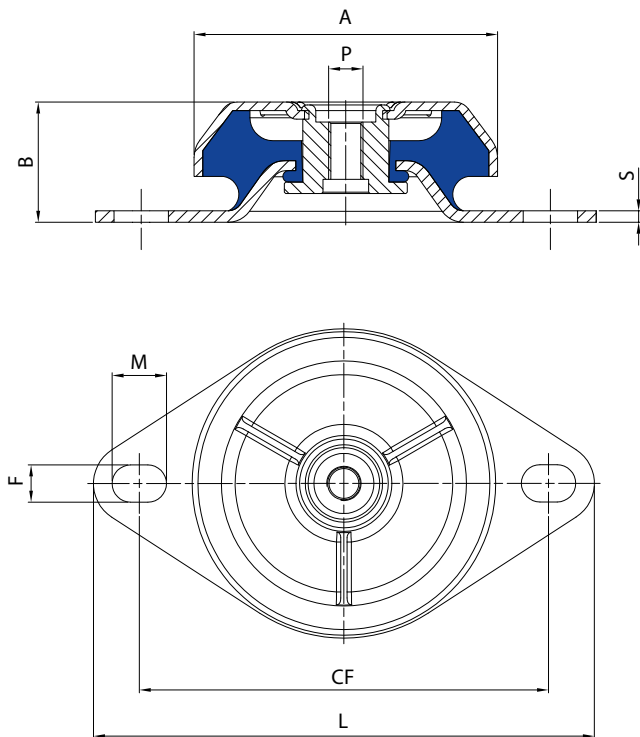
- Stainless steel version
- Height adjuster



Soft bell mounts can withstand up to 2g of shock forces or 5g occasional shock forces with regard to the load without permanent deformation or failing.

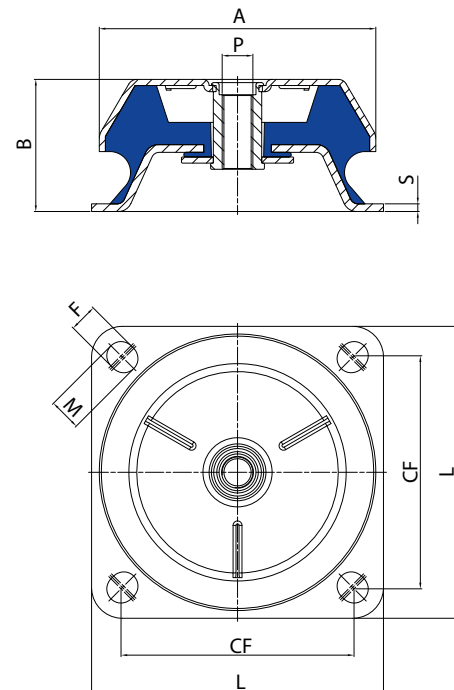
## Type CFBMS

### Type 1



## Type CFBMS

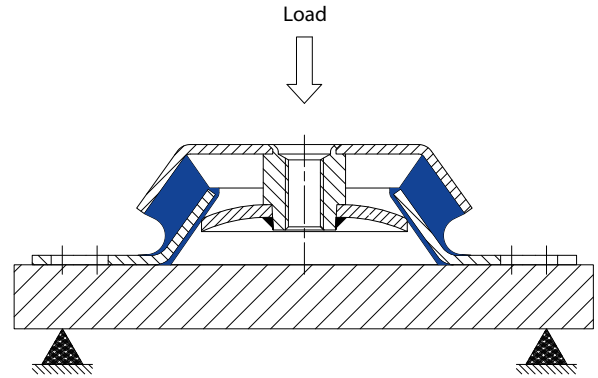
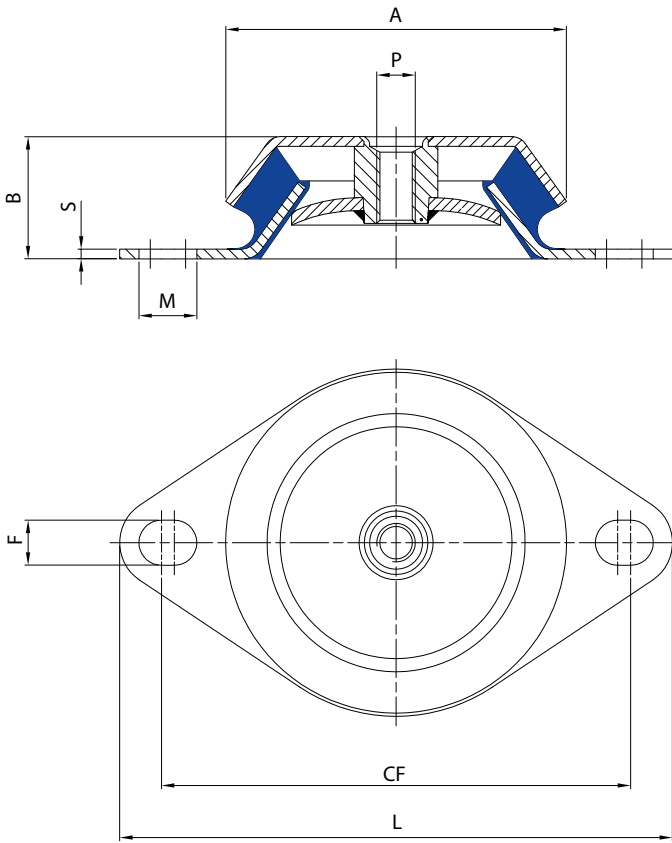
### Type 2



| Item           | Hardness (IRHD) | A   | B   | P   | FxM     | CF  | L   | S | Average Stiffness (daN/mm) | Max. Load (daN) | Max Deflec. (mm) | Type |
|----------------|-----------------|-----|-----|-----|---------|-----|-----|---|----------------------------|-----------------|------------------|------|
| CFBMS633510W   | 45              |     |     |     |         |     |     |   | 7,0                        | 30              | 4,3              |      |
| CFBMS633510M   | 60              | 63  | 35  | M10 | 9X12    | 88  | 110 | 2 | 15,8                       | 60              | 3,8              | 1    |
| CFBMS833510W   | 45              |     |     |     |         |     |     |   | 17,8                       | 80              | 4,5              |      |
| CFBMS833510M   | 60              | 83  | 35  | M10 | 11,5X15 | 110 | 135 | 3 | 44,5                       | 180             | 4,0              | 1    |
| CFBMS833512W   | 45              |     |     |     |         |     |     |   | 17,8                       | 80              | 4,5              |      |
| CFBMS833512M   | 60              | 83  | 35  | M12 | 11,5X15 | 110 | 135 | 3 | 44,5                       | 180             | 4,0              | 1    |
| CFBMS1064212W  | 45              |     |     |     |         |     |     |   | 33,5                       | 167             | 5,0              |      |
| CFBMS1064212M  | 60              | 106 | 42  | M12 | 13X19   | 143 | 175 | 4 | 67,0                       | 335             | 5,0              | 1    |
| CFBMS1064216W  | 45              |     |     |     |         |     |     |   | 33,5                       | 167             | 5,0              |      |
| CFBMS1064216M  | 60              | 106 | 42  | M16 | 13X19   | 143 | 175 | 4 | 67,0                       | 335             | 5,0              | 1    |
| CFBMS1505416W  | 45              |     |     |     |         |     |     |   | 37,5                       | 450             | 12,0             |      |
| CFBMS1505416M  | 60              | 150 | 54  | M16 | 14X18   | 182 | 218 | 4 | 78,7                       | 800             | 10,2             | 1    |
| CFBMS1808620W  | 45              |     |     |     |         |     |     |   | 59,2                       | 900             | 15,2             |      |
| CFBMS1808620M  | 60              | 180 | 86  | M20 | 14,5X18 | 146 | 190 | 5 | 127,0                      | 1700            | 13,4             | 2    |
| CFBMS22010524W | 45              |     |     |     |         |     |     |   | 95,0                       | 1700            | 17,9             |      |
| CFBMS22010524M | 60              | 220 | 105 | M24 | 17,5X20 | 180 | 220 | 5 | 195,0                      | 3400            | 17,4             | 2    |

## Type CCFS

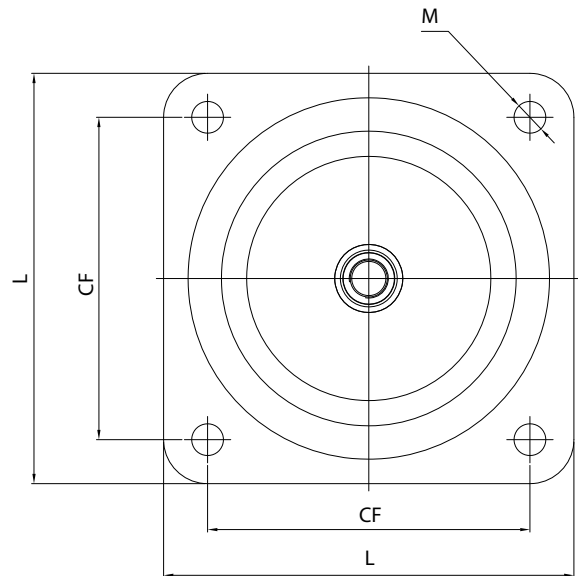
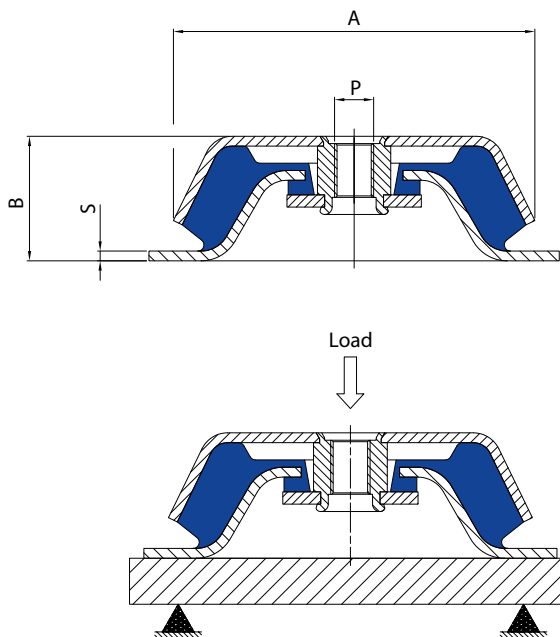
### Type 1



Soft bell mounts can withstand up to 2g of shock forces or 5g occasional shock forces with regard to the load without permanent deformation or failing.

## Type CCFS

### Type 2





| Item          | Hardness (IRHD) | A   | B  | P   | FxM    | CF  | L   | S | Average Stiffness (daN/mm) | Max. Load (daN) | Max Deflec. (mm) | Type |
|---------------|-----------------|-----|----|-----|--------|-----|-----|---|----------------------------|-----------------|------------------|------|
| CCFS823510W   | 45              |     |    |     |        |     |     |   | 12,0                       | 70,0            | 6,0              |      |
| CCFS823510M   | 60              | 82  | 35 | M10 | 11     | 110 | 127 | 2 | 22,0                       | 130,0           | 5,8              | 1    |
| CCFS823510H   | 70              |     |    |     |        |     |     |   | 28,0                       | 160,0           | 5,5              |      |
| CCFS823512W   | 45              |     |    |     |        |     |     |   | 12,0                       | 70,0            | 6,0              |      |
| CCFS823512M   | 60              | 82  | 35 | M12 | 11     | 110 | 127 | 2 | 22,0                       | 130,0           | 5,8              | 1    |
| CCFS823512H   | 70              |     |    |     |        |     |     |   | 28,0                       | 160,0           | 5,5              |      |
| CCFS1063812XW | 35              |     |    |     |        |     |     |   | 40,0                       | 150,0           | 3,7              |      |
| CCFS1063812W  | 45              | 106 | 38 | M12 | 14X18  | 138 | 172 | 3 | 55,0                       | 192,5           | 3,5              | 1    |
| CCFS1063812M  | 60              |     |    |     |        | 146 |     |   | 100,0                      | 350,0           | 3,5              |      |
| CCFS1063812H  | 70              |     |    |     |        |     |     |   | 150,0                      | 450,0           | 3,0              |      |
| CCFS1063816XW | 35              |     |    |     |        |     |     |   | 40,0                       | 150,0           | 3,7              |      |
| CCFS1063816W  | 45              | 106 | 38 | M16 | 14X18  | 138 | 172 | 3 | 55,0                       | 192,5           | 3,5              | 1    |
| CCFS1063816M  | 60              |     |    |     |        | 146 |     |   | 100,0                      | 350,0           | 3,5              |      |
| CCFS1063816H  | 70              |     |    |     |        |     |     |   | 150,0                      | 450,0           | 3,0              |      |
| CCFS1064212W  | 45              |     |    |     |        |     |     |   | 28,0                       | 140,0           | 5,0              |      |
| CCFS1064212M  | 60              | 106 | 42 | M12 | 14X18  | 138 | 172 | 3 | 55,0                       | 275,0           | 5,0              | 1    |
| CCFS1064212H  | 70              |     |    |     |        | 146 |     |   | 85,0                       | 425,0           | 5,0              |      |
| CCFS1064212XH | 75              |     |    |     |        |     |     |   | 120,0                      | 600,0           | 5,0              |      |
| CCFS1064216W  | 45              |     |    |     |        |     |     |   | 28,0                       | 140,0           | 5,0              |      |
| CCFS1064216M  | 60              | 106 | 42 | M16 | 14X18  | 138 | 172 | 3 | 55,0                       | 275,0           | 5,0              | 1    |
| CCFS1064216H  | 70              |     |    |     |        | 146 |     |   | 85,0                       | 425,0           | 5,0              |      |
| CCFS1064216XH | 75              |     |    |     |        |     |     |   | 120,0                      | 600,0           | 5,0              |      |
| CCFS1214216W  | 45              |     |    |     |        |     |     |   | 125,0                      | 500,0           | 4,0              |      |
| CCFS1214216M  | 60              | 121 | 42 | M16 | 13,5   | 158 | 188 | 3 | 190,0                      | 760,0           | 4,0              | 1    |
| CCFS1214216H  | 70              |     |    |     |        |     |     |   | 290,0                      | 1160,0          | 4,0              |      |
| CCFS1444816XW | 35              |     |    |     |        |     |     |   | 85,0                       | 527,0           | 6,2              |      |
| CCFS1444816W  | 45              | 144 | 48 | M16 | 14X18  | 179 | 216 | 4 | 100,0                      | 700,0           | 7,0              | 1    |
| CCFS1444816M  | 60              |     |    |     |        | 186 |     |   | 200,0                      | 1340,0          | 6,7              |      |
| CCFS1444816H  | 70              |     |    |     |        |     |     |   | 300,0                      | 1950,0          | 6,5              |      |
| CCFS1505016W  | 45              |     |    |     |        |     |     |   | 110,0                      | 440,0           | 4,0              |      |
| CCFS1505016M  | 60              | 150 | 51 | M16 | n°4X13 | 132 | 168 | 4 | 210,0                      | 880,0           | 4,2              | 2    |
| CCFS1505016H  | 70              |     |    |     |        |     |     |   | 310,0                      | 1240,0          | 4,0              |      |

## Type CCFQ/CFE/CFAB Mounts

This mount offers a low profile, easy to install design with an integral fail-safe device to provide shock and failure protection for mobile, marine or seismic stationary applications. When the rubber works in shear and compression it provides large static deflections low natural (to 8 Hz) and high isolation. Our CCFQ/CFE/CFAB are designed with a fail-safe function making it an ideal solution for applications where safety is paramount.

### Applications

- Gensets
- Marine power engines
- Diesel engines
- Pumps
- HVAC

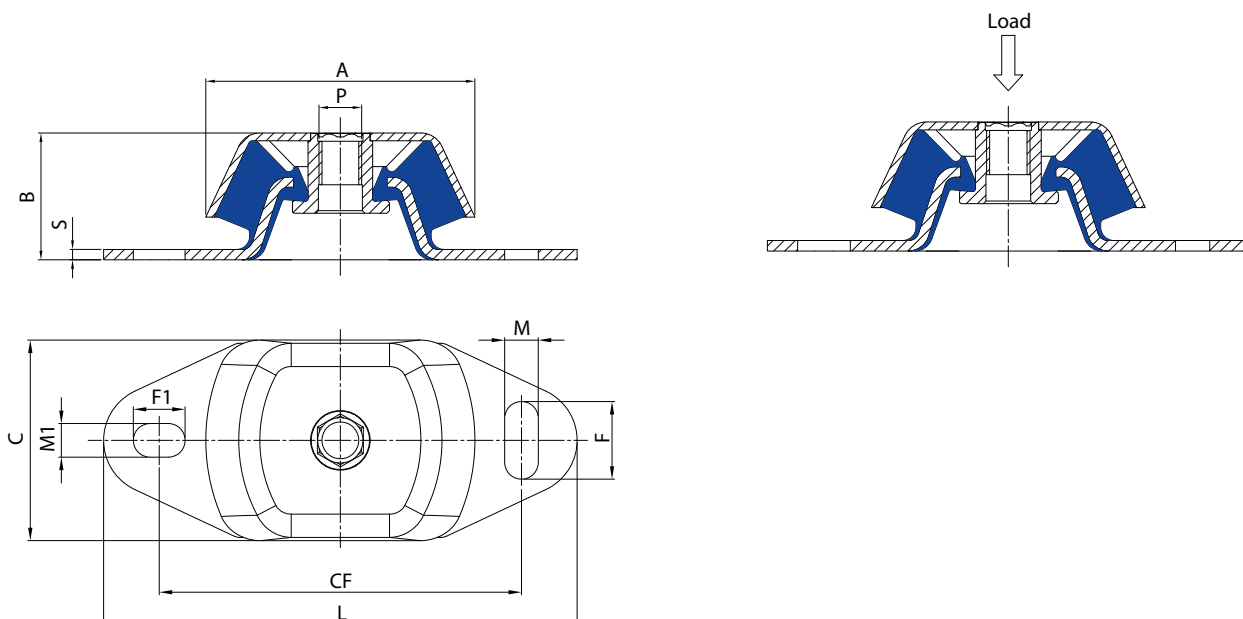
### Standard Production

- Bell and flange: DD13 or DC04 steel (UNI EN 10111 or UNI EN 10130)
- Fail-safe device: 11SMnPb37 (UNI EN 10087)
- Natural rubber NR
- Zinc plated in accordance with CE standard CHROME VI free, white
- Stiffness tolerance +/- 15%

### Options & Additional Parts

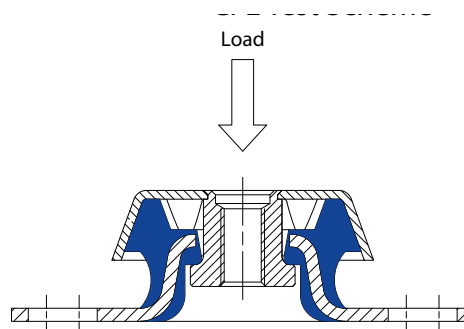
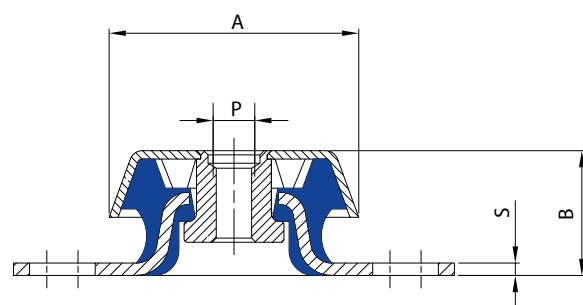
- Stainless steel version
- Height adjuster

## Type CCFQ

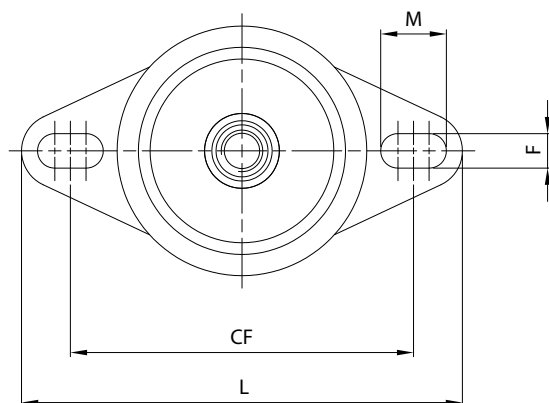


| Item          | Hardness (IRHD) | A   | B  | C   | P   | FxM (F1xM1)      | CF  | L   | S | Average Stiffness (daN/mm) | Max. Load (daN) | Max Deflec. (mm) | Average weight (kg) |
|---------------|-----------------|-----|----|-----|-----|------------------|-----|-----|---|----------------------------|-----------------|------------------|---------------------|
| CCFQ804012W   | 45 IRHD         |     |    |     |     |                  |     |     |   | 9,0                        | 36,0            |                  |                     |
| CCFQ804012K   | 50 IRHD         | 80  | 38 | 60  | M12 | 14X11            | 100 | 120 | 3 | 13,0                       | 52,0            | 4,0              | 0,35                |
| CCFQ804012M   | 60 IRHD         |     |    |     |     |                  |     |     |   | 16,0                       | 64,0            |                  |                     |
| CCFQ804012H   | 70 IRHD         |     |    |     |     |                  |     |     |   | 24,0                       | 96,0            |                  |                     |
| CCFQ1045016XW | 35 IRHD         |     |    |     |     |                  |     |     |   | 16,0                       | 80,0            |                  |                     |
| CCFQ1045016W  | 45 IRHD         |     |    |     |     |                  |     |     |   | 24,0                       | 120,0           |                  |                     |
| CCFQ1045016M  | 60 IRHD         | 104 | 49 | 75  | M16 | 30X13<br>(20X13) | 140 | 183 | 4 | 38,0                       | 190,0           | 5,0              | 0,85                |
| CCFQ1045016H  | 70 IRHD         |     |    |     |     |                  |     |     |   | 60,0                       | 300,0           |                  |                     |
| CCFQ1045016XH | 80 IRHD         |     |    |     |     |                  |     |     |   | 95,0                       | 475,0           |                  |                     |
| CCFQ1307020W  | 45 IRHD         |     |    |     |     |                  |     |     |   | 55,0                       | 330,0           |                  |                     |
| CCFQ1307020M  | 60 IRHD         | 132 | 71 | 112 | M20 | 34X18<br>(26X18) | 182 | 230 | 5 | 90,0                       | 540,0           | 6,0              | 2,35                |
| CCFQ1307020H  | 70 IRHD         |     |    |     |     |                  |     |     |   | 135,0                      | 810,0           |                  |                     |
| CCFQ1307020XH | 80 IRHD         |     |    |     |     |                  |     |     |   | 220,0                      | 880,0           | 4,0              |                     |

## Type CFE

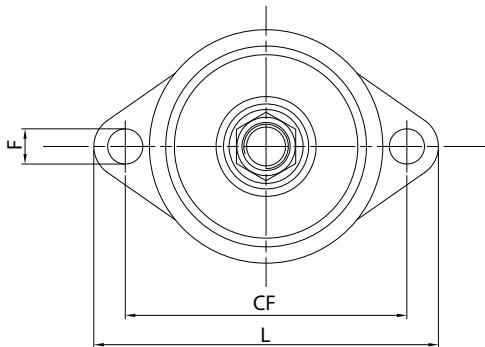
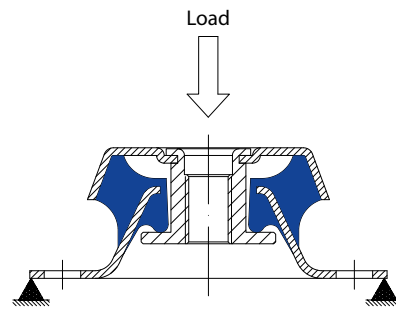
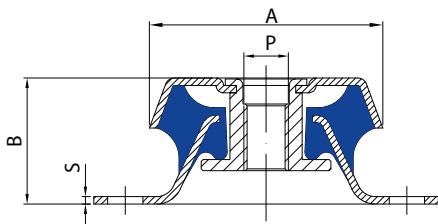


Hard bell mounts can withstand up to 2g of shock forces or 5g occasional shock forces with regard to the load without permanent deformation or failing.



| Item        | Hardness (IRHD) | A  | B  | P   | FxM    | CF       | L   | S | Average Stiffness (daN/mm) | Max. Load (daN) | Max Deflec. (mm) |
|-------------|-----------------|----|----|-----|--------|----------|-----|---|----------------------------|-----------------|------------------|
| CFE623110XW | 35              |    |    |     |        |          |     |   | 7,5                        | 25              | 3,3              |
| CFE623110W  | 45              |    |    |     |        |          |     |   | 10,0                       | 34              | 3,4              |
| CFE623110K  | 50              | 60 | 31 | M10 | 8,3X16 | 75<br>90 | 106 | 3 | 13,0                       | 43              |                  |
| CFE623110M  | 60              |    |    |     |        |          |     |   | 16,0                       | 53              | 3,3              |
| CFE623110H  | 70              |    |    |     |        |          |     |   | 25,0                       | 83              |                  |
| CFE623112W  | 45              |    |    |     |        |          |     |   | 10,0                       | 34              | 3,4              |
| CFE623112K  | 50              | 60 | 31 | M12 | 8,3X16 | 75<br>90 | 106 | 3 | 13,0                       | 43              |                  |
| CFE623112M  | 60              |    |    |     |        |          |     |   | 16,0                       | 53              | 3,3              |
| CFE623112H  | 70              |    |    |     |        |          |     |   | 25,0                       | 83              |                  |

## Type CFAB



Hard bell mounts can withstand up to 2g of shock forces or 5g occasional shock forces with regard to the load without permanent deformation or failing.

| Item   | A  | B  | P   | FxM | CF | L  | S | Average Stiffness (daN/mm) | Max. Load (daN) | Max Deflec. (mm) |
|--------|----|----|-----|-----|----|----|---|----------------------------|-----------------|------------------|
| CFAB-3 | 63 | 34 | M12 | 9,5 | 76 | 93 | 2 | 20                         | 70              | 3,5              |
| CFAB-2 | 63 | 34 | M12 | 9,5 | 76 | 93 | 2 | 30                         | 110             | 3,5              |
| CFAB-0 | 63 | 34 | M12 | 9,5 | 76 | 93 | 2 | 37                         | 130             | 3,5              |

## Type CF/CFQ Mounts

Mounts which allow a high level of insulation especially used on generators, engines and systems with an operating frequency at around 25 Hz (1500 rpm). Axial stresses are perfectly absorbed and side deflections limited to guarantee a good stability. The CF/CFQ are fully bonded and have a threaded insert to allow an easy assembling.

### Applications

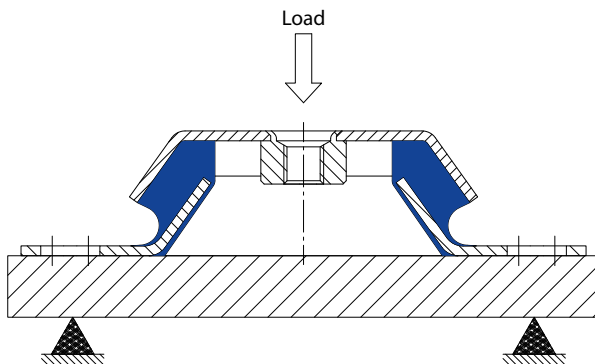
- Gensets
- Engines
- Special equipments
- Tooling equipment
- Pumps
- HVAC

### Standard Production

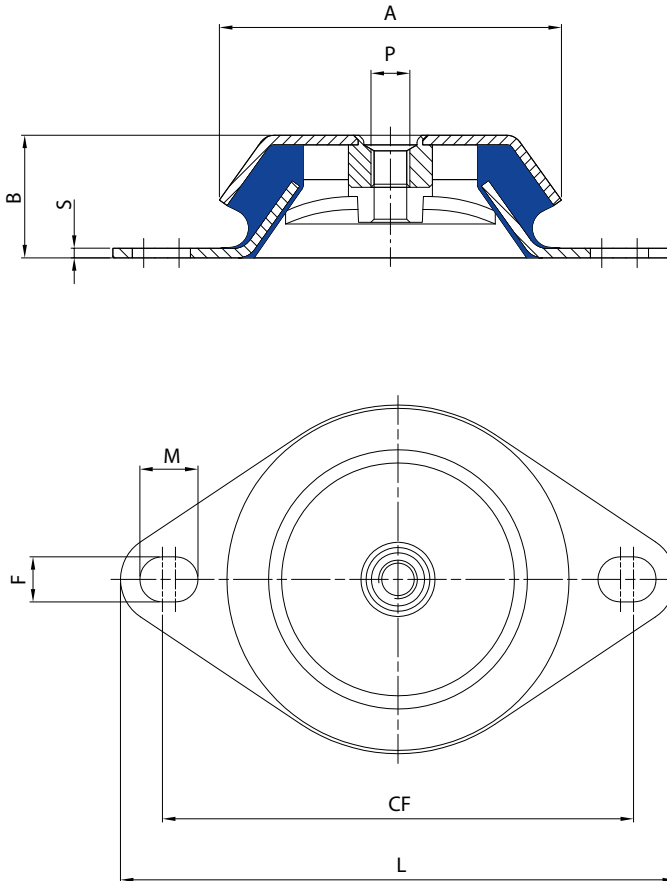
- Bell and flange: DD13 or DC04 steel (UNI EN 10111 o UNI EN 10130)
- Nuts: Resistance class 4
- Natural rubber NR
- Zinc plated in accordance with CE standard CHROME VI free, white
- Stiffness tolerance +/- 15%

### Options & Additional Parts

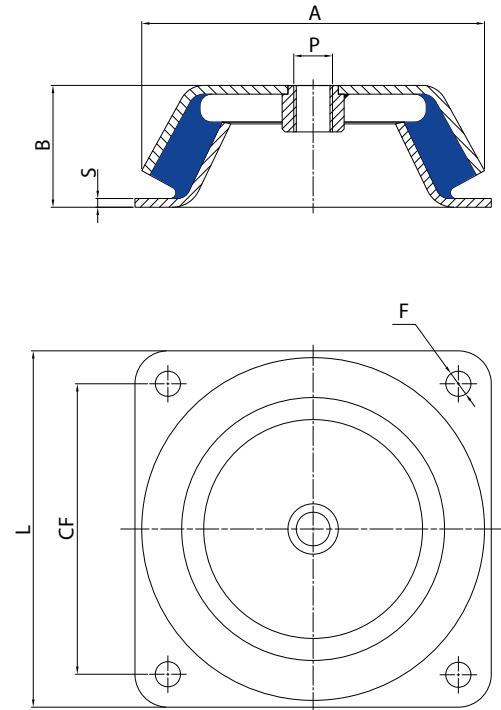
- Stainless steel version
- Height adjuster



## Type CF/CFQ Type 1



## Type CF/CFQ Type 2



| Item         | Hardness (IRHD) | A    | B    | P   | FxM    | CF  | L   | S   | Average Stiffness (daN/mm) | Max. Load (daN) | Max Deflec. (mm) | Type |
|--------------|-----------------|------|------|-----|--------|-----|-----|-----|----------------------------|-----------------|------------------|------|
| CFS482308W   | 45              |      |      |     |        |     |     |     | 23                         | 46              |                  |      |
| CFS482308M   | 60              | 46,5 | 22,5 | M8  | 6,5    | 68  | 81  | 1,5 | 30                         | 60              | 2,0              | 1    |
| CF482308W    | 45              |      |      |     |        |     |     |     | 30                         | 60              |                  |      |
| CF482308M    | 60              | 48   | 23   | M8  | 6,5    | 68  | 81  | 1,5 | 50                         | 95              | 2,0              | 1    |
| CF482308H    | 70              |      |      |     |        |     |     |     | 80                         | 150             |                  |      |
| CF603510W    | 45              |      |      |     |        | 75  |     |     | 45                         | 110             |                  |      |
| CF603510M    | 60              | 60   | 35   | M10 | 8,3X16 |     | 106 | 2   | 80                         | 190             | 2,4              | 1    |
| CF603510H    | 70              |      |      |     |        | 90  |     |     | 120                        | 290             |                  |      |
| CF603512W    | 45              |      |      |     |        | 75  |     |     | 45                         | 110             |                  |      |
| CF603512M    | 60              | 60   | 35   | M12 | 8,3X16 |     | 106 | 2   | 80                         | 190             | 2,4              | 1    |
| CF603512H    | 70              |      |      |     |        | 90  |     |     | 120                        | 290             |                  |      |
| CF623110W    | 45              |      |      |     |        | 75  |     |     | 50                         | 125             |                  |      |
| CF623110M    | 60              | 62   | 31   | M10 | 8,3X16 |     | 106 | 3   | 85                         | 213             | 2,5              | 1    |
| CF623110H    | 70              |      |      |     |        | 90  |     |     | 125                        | 313             |                  |      |
| CF623112W    | 45              |      |      |     |        | 75  |     |     | 50                         | 125             |                  |      |
| CF623112M    | 60              | 62   | 31   | M10 | 8,3X16 |     | 106 | 3   | 85                         | 213             | 2,5              | 1    |
| CF623112H    | 70              |      |      |     |        | 90  |     |     | 125                        | 313             |                  |      |
| CF773010W    | 45              |      |      |     |        |     |     |     | 42                         | 147             |                  |      |
| CF773010M    | 60              | 77   | 30   | M10 | 9      | 110 | 128 | 2   | 80                         | 280             | 3,5              | 1    |
| CF773010H    | 70              |      |      |     |        |     |     |     | 120                        | 420             |                  |      |
| CF823510W    | 45              |      |      |     |        |     |     |     | 65                         | 200             |                  |      |
| CF823510M    | 60              | 82   | 35   | M10 | 11     | 110 | 128 | 2   | 115                        | 345             | 3,0              | 1    |
| CF924512W    | 45              |      |      |     |        |     |     |     | 100                        | 300             |                  |      |
| CF924512M    | 60              | 92   | 45   | M12 | 10,5   | 110 | 138 | 3   | 195                        | 585             | 3,0              | 1    |
| CF924512H    | 70              |      |      |     |        |     |     |     | 310                        | 930             |                  |      |
| CF924514W    | 45              |      |      |     |        |     |     |     | 100                        | 300             |                  |      |
| CF924514M    | 60              | 92   | 45   | M14 | 10,5   | 110 | 138 | 3   | 195                        | 585             | 3,0              | 1    |
| CF924514H    | 70              |      |      |     |        |     |     |     | 310                        | 930             |                  |      |
| CF1063812W   | 45              |      |      |     |        | 138 |     |     | 120                        | 420             | 3,5              |      |
| CF1063812M   | 60              | 106  | 38   | M12 | 14X18  |     | 172 | 3   | 220                        | 660             | 3,0              | 1    |
| CF1063812H   | 70              |      |      |     |        | 146 |     |     | 320                        | 960             |                  |      |
| CF1063816W   | 45              |      |      |     |        | 138 |     |     | 120                        | 420             | 3,5              |      |
| CF1063816M   | 60              | 106  | 38   | M16 | 14X18  |     | 172 | 3   | 220                        | 660             | 3,0              | 1    |
| CF1063816H   | 70              |      |      |     |        | 146 |     |     | 320                        | 960             |                  |      |
| CF1085014/5W | 45              |      |      |     |        |     |     |     | 120                        | 400             | 3,3              |      |
| CF1085014/5M | 60              | 108  | 50   | M14 | 16,5   | 160 | 190 | 5   | 220                        | 660             | 3,0              | 1    |
| CF1085014/5H | 70              |      |      |     |        |     |     |     | 320                        | 960             |                  |      |
| CF1085016/5W | 45              |      |      |     |        |     |     |     | 120                        | 400             | 3,3              |      |
| CF1085016/5M | 60              | 108  | 50   | M16 | 16,5   | 160 | 190 | 5   | 220                        | 660             | 3,0              | 1    |
| CF1085016/5H | 70              |      |      |     |        |     |     |     | 320                        | 960             |                  |      |
| CFQ1505016W  | 45              |      |      |     |        |     |     |     | 150                        | 600             | 4,0              |      |
| CFQ1505016M  | 60              | 150  | 51   | M16 | n*4X13 | 132 | 168 | 4   | 260                        | 1092            | 4,2              | 2    |
| CFQ1505016H  | 70              |      |      |     |        |     |     |     | 350                        | 1365            | 3,9              |      |
| CFQ1776020W  | 45              |      |      |     |        |     |     |     | 210                        | 756             | 3,6              |      |
| CFQ1776020M  | 60              | 177  | 62   | M20 | n*4X13 | 150 | 184 | 4   | 340                        | 1326            | 3,9              | 2    |
| CFQ1776020H  | 70              |      |      |     |        |     |     |     | 530                        | 2014            | 3,8              |      |

# Universal Mounts

## Mounts

The CTC/T/CGM/FBF range provides excellent fail-safe dynamic insulation particularly in vertical direction, both in traction and in compression. They significantly reduce vibrations and absorb considerable levels of shocks to provide an excellent all-round solution to a wide range of applications on agricultural machines, tractors, off-road machines and military equipment. These mounts are specially suitable for insulating structures where through assembly is required.

### Applications

- Engines
- Radiators
- Cabs

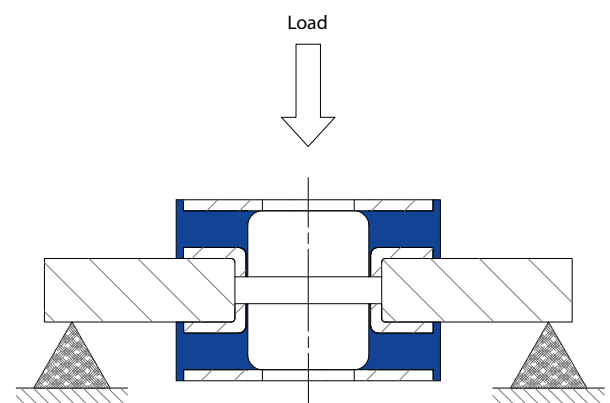
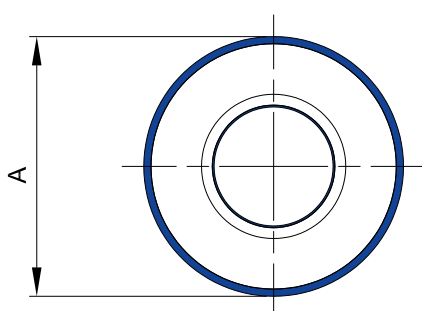
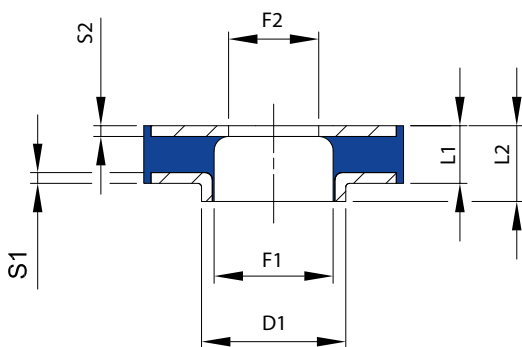
### Standard Production

- Washer and flange: DD12 or DD13 steel (UNI EN 10111)
- Tube: Fe 360 Steel (ISO 3305/3306)
- Natural rubber NR
- Zinc plated in accordance with CE standards CHROME VI free, white
- Stiffness tolerance +/- 15%

### Options & Additional Parts

- NEOPREN CR and Anti-oil NBR version

## Type CGM

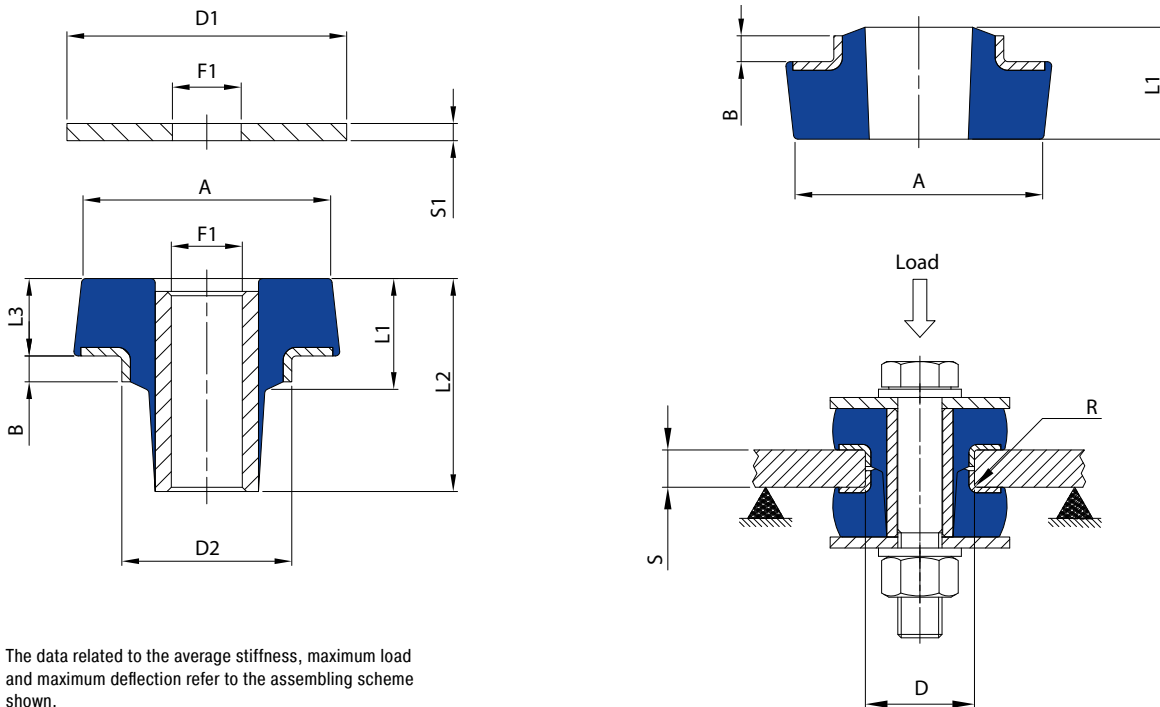


N.B. Mounts are sold individually, but need to be installed in pairs as above, to provide the Isolation Characteristics.



| Item     | Hardness (IRHD) | A  | D1 | F1   | F2   | L1 | L2   | S1  | S2  | Average Stiffness [compression] (daN/mm) | Max. Load [compression] (daN) | Max Deflec. [compression] (mm) |
|----------|-----------------|----|----|------|------|----|------|-----|-----|--|-------------------------------|--------------------------------|
| CGM3611W | 45              |    |    |      |      |    |      |     |     | 90,0                                     | 81,0                          |                                |
| CGM3611M | 60              | 36 | 20 | 16,5 | 16,5 | 8  | 10,5 | 1,5 | 1,5 | 150,0                                    | 135,0                         | 0,9                            |
| CGM3611H | 70              |    |    |      |      |    |      |     |     | 230,0                                    | 207,0                         |                                |
| CGM3614W | 45              |    |    |      |      |    |      |     |     | 70,0                                     | 84,0                          |                                |
| CGM3614M | 60              | 36 | 18 | 12   | 8,5  | 10 | 14   | 1,5 | 1,5 | 110,0                                    | 132,0                         | 1,2                            |
| CGM3614H | 70              |    |    |      |      |    |      |     |     | 170,0                                    | 204,0                         |                                |
| CGM5023W | 45              |    |    |      |      |    |      |     |     | 80,0                                     | 120,0                         |                                |
| CGM5023M | 60              | 50 | 23 | 20   | 16,5 | 13 | 22,5 | 1,5 | 1,5 | 140,0                                    | 210,0                         | 1,5                            |
| CGM5023H | 70              |    |    |      |      |    |      |     |     | 210,0                                    | 315,0                         |                                |
| CGM6017W | 45              |    |    |      |      |    |      |     |     | 110,0                                    | 209,0                         |                                |
| CGM6017M | 60              | 60 | 27 | 24   | 20,5 | 13 | 17   | 1,5 | 1,5 | 210,0                                    | 399,0                         | 1,9                            |
| CGM6017H | 70              |    |    |      |      |    |      |     |     | 310,0                                    | 589,0                         |                                |
| CGM6023W | 45              |    |    |      |      |    |      |     |     | 110,0                                    | 209,0                         |                                |
| CGM6023M | 60              | 60 | 27 | 24   | 20,5 | 13 | 23,5 | 1,5 | 1,5 | 210,0                                    | 399,0                         | 1,9                            |
| CGM6023H | 70              |    |    |      |      |    |      |     |     | 310,0                                    | 589,0                         |                                |
| CGM6034M | 60              | 60 | 27 | 24   | 21   | 30 | 34   | 1,5 | 1,5 | 70,0                                     | 245,0                         | 3,5                            |

## Type CTC Type 1

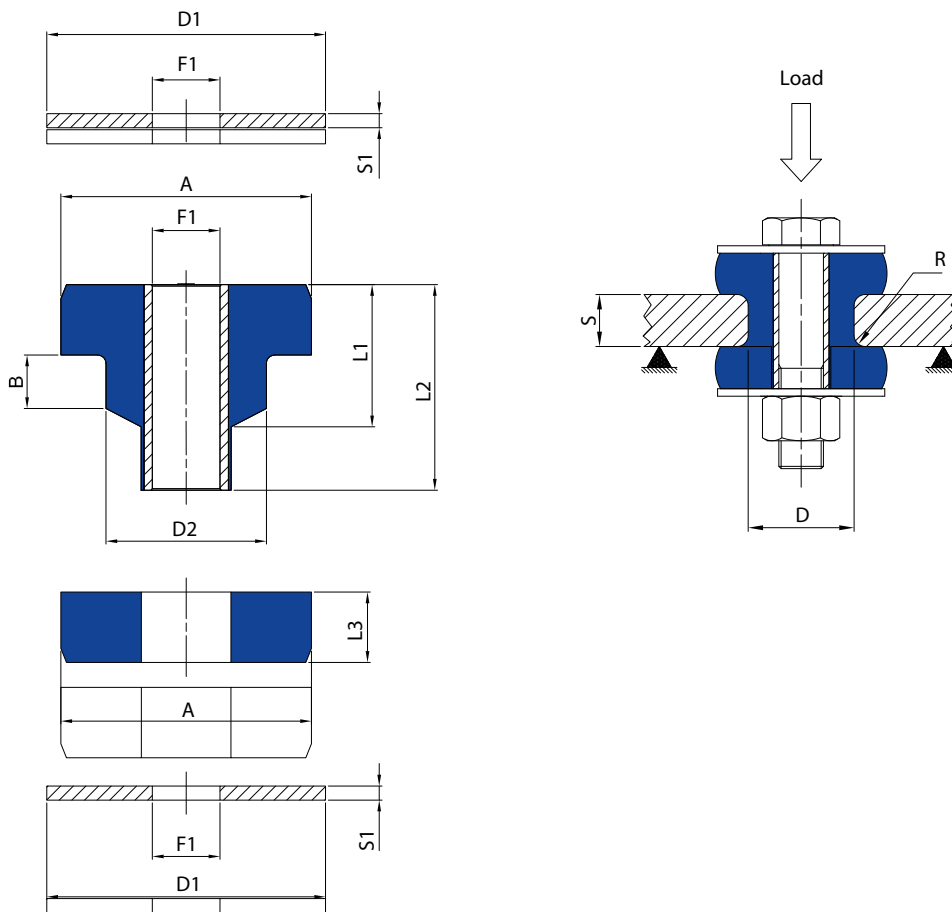


The data related to the average stiffness, maximum load and maximum deflection refer to the assembling scheme shown.

| Item     | Hardness (IRHD) | Mounts |   |      | Washers |      |    | Support |    |    | Average Stiffness (daN/mm) | Max. Load (daN) | Max Deflec. (mm) |       |       |     |  |
|----------|-----------------|--------|---|------|---------|------|----|---------|----|----|----------------------------|-----------------|------------------|-------|-------|-----|--|
|          |                 | A      | B | D2   | L1      | L2   | L3 | D1      | F1 | S1 |                            |                 |                  | D     | S     | R   |  |
| CTC6050W | 45              |        |   |      |         |      |    |         |    |    |                            |                 |                  |       |       |     |  |
| CTC6050M | 60              | 58     | 6 | 39.5 | 26      | 49.5 | 18 | 65      | 16 | 4  | 41                         | 15              | 1                | 135,0 | 202,0 | 1,5 |  |
| CTC6050H | 70              |        |   |      |         |      |    |         |    |    |                            |                 |                  | 210,0 | 315,0 |     |  |

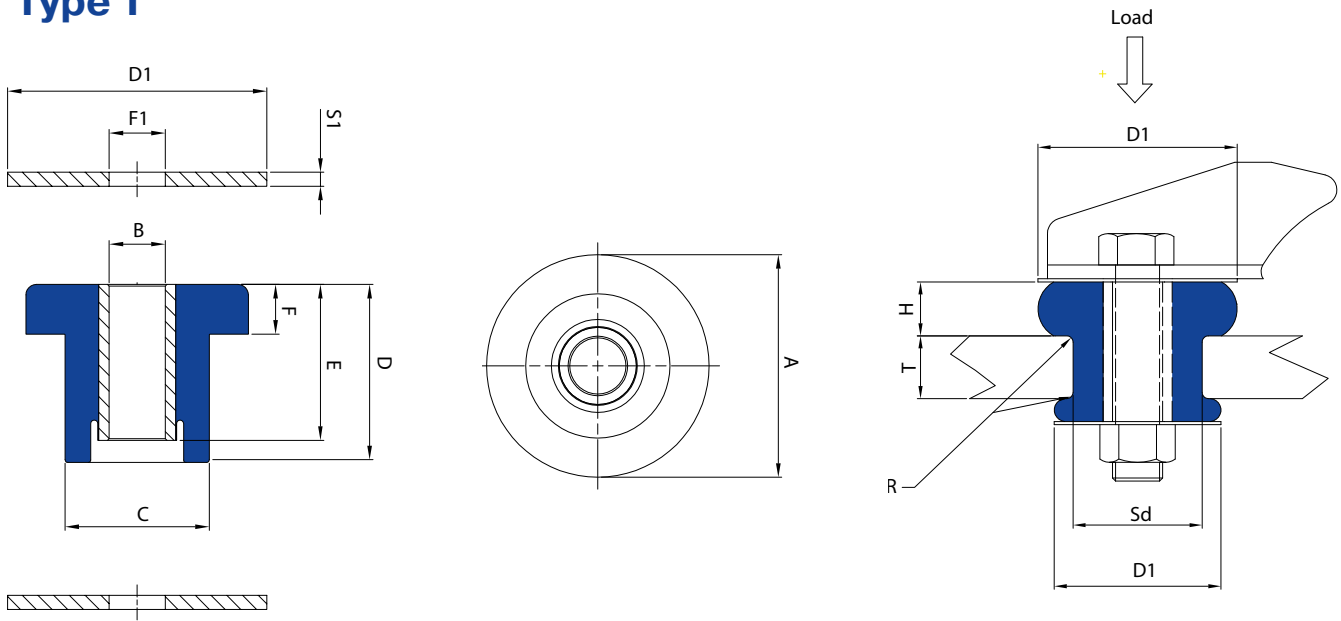
## Type CTC

### Type 2



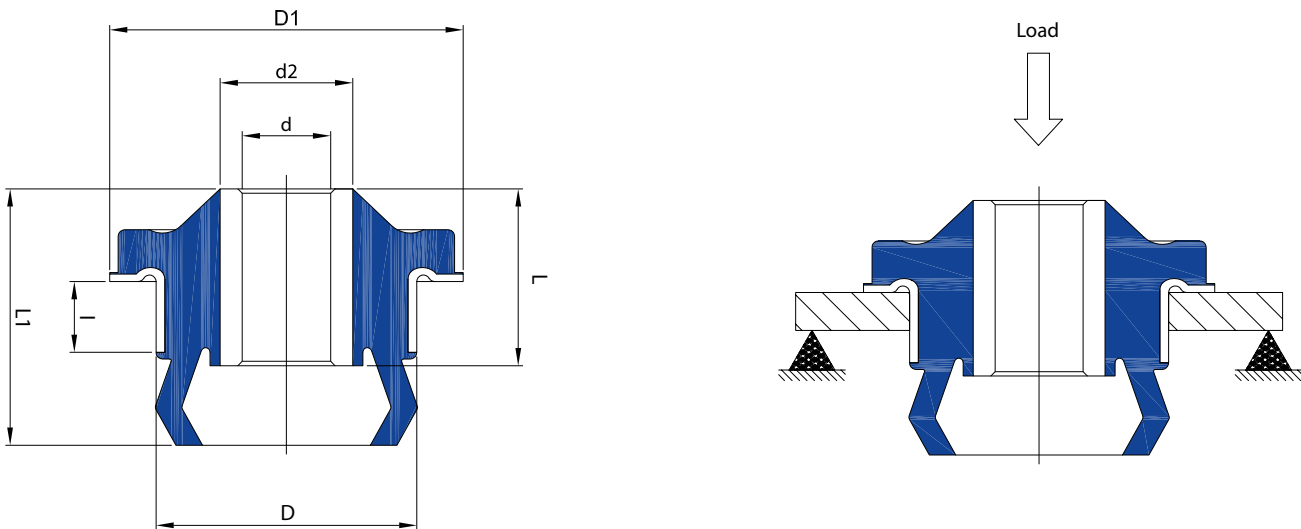
| Item     | Hardness (IRHD) | A  | B  | F1   | D2 | L1   | L2   | L3 | D1 | F1   | S1  | D  | S  | R   | Average Stiffness (daN/mm) | Max. Load (daN) | Max Deflec. (mm) |
|----------|-----------------|----|----|------|----|------|------|----|----|------|-----|----|----|-----|----------------------------|-----------------|------------------|
|          |                 |    |    |      |    |      |      |    |    |      |     |    |    |     |                            |                 |                  |
| CTC5050W | 45              | 50 | 10 | 13   | 32 | 30   | 50   | 20 | 55 | 12,2 | 3,5 | 31 | 15 | 1,5 | 43,0                       | 80,0            | 1,9              |
| CTC5050M | 60              |    |    |      |    |      |      |    |    |      |     |    |    |     | 86,0                       | 130,0           | 1,5              |
| CTC6562W | 45              | 65 | 16 | 16,5 | 40 | 42   | 61,7 | 23 | 70 | 16   | 4   | 39 | 22 | 2,3 | 58,0                       | 120,0           | 2,1              |
| CTC6562M | 60              |    |    |      |    |      |      |    |    |      |     |    |    |     | 140,0                      | 260,0           | 1,9              |
| CTC8973W | 45              | 89 | 19 | 24   | 57 | 50,5 | 73   | 25 | 99 | 24   | 4   | 57 | 28 | 3   | 130,0                      | 260,0           | 2,0              |
| CTC8973M | 60              |    |    |      |    |      |      |    |    |      |     |    |    |     | 240,0                      | 450,0           | 1,9              |

## Type T



| Item   | Hardness (IRHD) | Mounts |      |      |      |      |      | Installation |    |      |     |      | Washers |    |    | Average Stiffness (daN/mm) | Max. Load (daN) | Max Deflec. (mm) |
|--------|-----------------|--------|------|------|------|------|------|--------------|----|------|-----|------|---------|----|----|----------------------------|-----------------|------------------|
|        |                 | A      | B    | C    | D    | E    | F    | H            | D1 | SD   | R   | T    | D1      | F1 | S1 |                            |                 |                  |
| T3027M | 55              | 32     | 10   | 24   | 36   | 27,2 | 14   | 13           | 38 | 22,7 | 1,5 | 9,7  | 38      | 10 | 2  | 22                         | 50              | 2,3              |
| T5137K | 50              | 51     | 13   | 35   | 51   | 37   | 19   | 17,5         | 65 | 31,8 | 1,5 | 12,7 | 65      | 12 | 3  | 45                         | 135             | 3,0              |
| T6038K | 50              | 60     | 17,1 | 37   | 53   | 39,2 | 17   | 16           | 70 | 35,1 | 1,5 | 15,7 | 70      | 16 | 4  | 75                         | 225             | 3,0              |
| T6344K | 50              | 63,5   | 16   | 41,2 | 50,8 | 44,5 | 14,2 | 14,2         | 74 | 38,1 | 1,5 | 19,1 | 74      | 16 | 4  | 115                        | 210             | 1,8              |

## Type FBF



| Item          | d    | D  | L  | L1 | d2 | L1 | D1 | D3 | D4 | S  | S1    | Average Stiffness (daN/mm) | Max. Load (daN) | Max Deflec. (mm) |
|---------------|------|----|----|----|----|----|----|----|----|----|-------|----------------------------|-----------------|------------------|
|               |      |    |    |    |    |    |    |    |    |    |       |                            |                 |                  |
| FBF1659.1640  | 16,2 | 59 | 16 | 40 | 25 | 58 | 80 | 60 | 85 | 16 | min 5 | 450                        | 1200            | 2,7              |
| FBF1659.1640W |      |    |    |    |    |    |    |    |    |    |       | 240                        | 720             | 3,0              |
| FBF2059.1640  | 20   | 59 | 16 | 40 | 30 | 58 | 80 | 60 | 85 | 16 | min 5 | 500                        | 1250            | 2,5              |
| FBF2059.1640W |      |    |    |    |    |    |    |    |    |    |       | 265                        | 800             | 3,0              |

# Cones

## Mounts

These mounts have a particular rubber section made for shear and compression stresses which allows good axial deflections. Cone mounts are low cost isolators that have high load carrying capacity within a compact size that provides a stable solution for a wide number of applications. This design of mount is ideally suited for isolating cabs of trucks, bus engines, radiators etc... The mounts are assembled with two safety washers to minimize overloads. The CNA version is characterized by two different radial stiffnesses.

### Applications

- Gensets
- Engines
- Special equipments
- Compressors
- Pumps
- HVAC

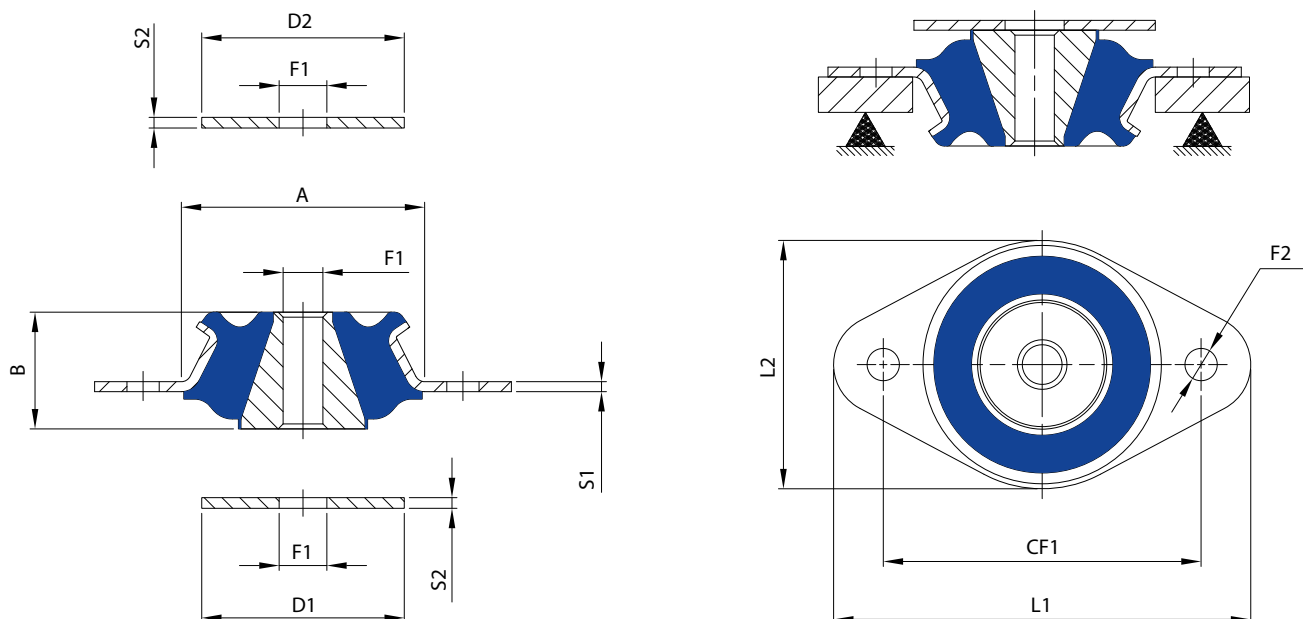
### Standard Production

- Cone and flange: DD13 or DC04 steel (UNI EN 10111 o UNI EN 10130)
- Washers: DD12 Steel UNI 10111
- Natural rubber NR
- Zinc plated in accordance with CE standards CHROME VI free, white
- Stiffness tolerance +/- 15%

### Options & Additional Parts

- Alternative elastomeric compounds available

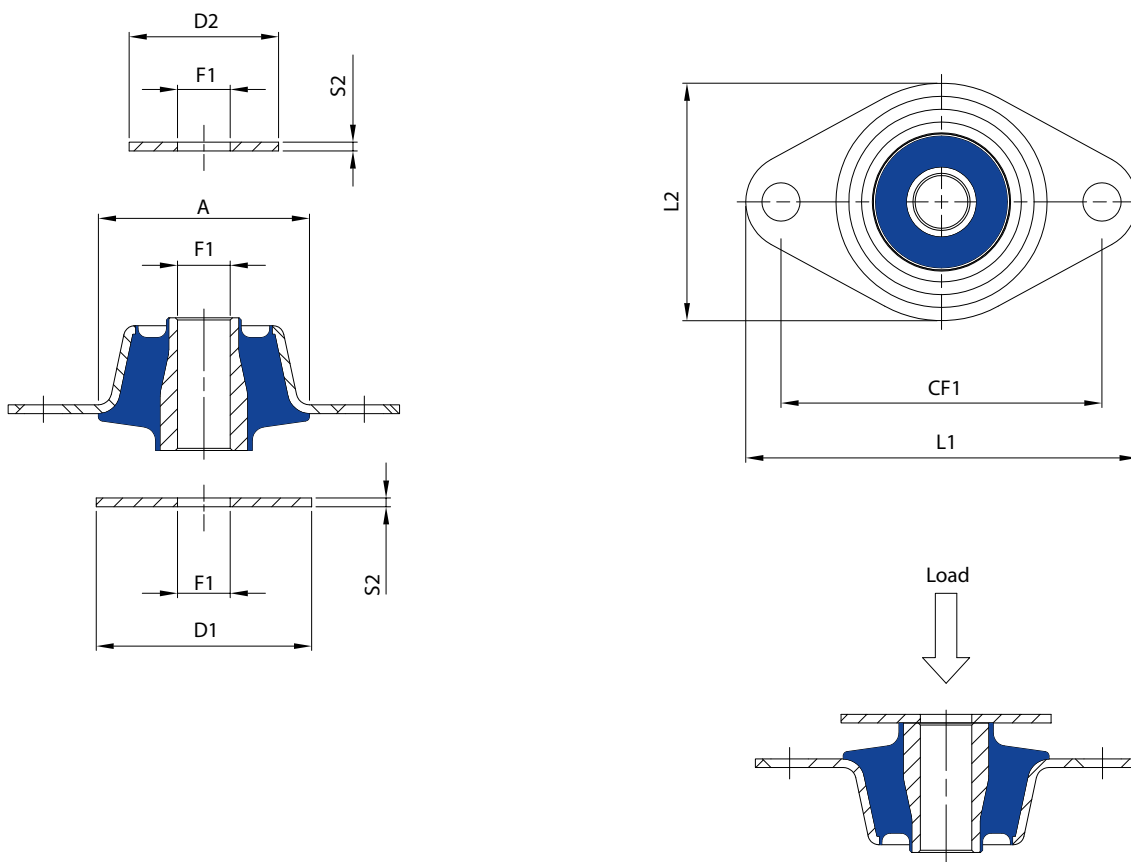
## Type CN



| Item      | Hardness (IRHD) | A  | B    | CF1 | CF2 | L1 | L2 | F1 | S1 | F2  | D1 | D2   | F1   | S2 | Average Stiffness (daN/mm) | Max. Load (daN) | Max Deflec. (mm) |
|-----------|-----------------|----|------|-----|-----|----|----|----|----|-----|----|------|------|----|----------------------------|-----------------|------------------|
| Cone      |                 |    |      |     |     |    |    |    |    |     |    |      |      |    |                            |                 |                  |
| 4623CN08W | 45              |    |      |     |     |    |    |    |    |     |    | 12,5 | 37,5 |    |                            |                 |                  |
| 4623CN08M | 60              | 46 | 23,5 | 64  | -   | 84 | 50 | 8  | 2  | 6,5 | 40 | 40   | 8    | 2  | 22                         | 66              | 3                |
| 4623CN08H | 70              |    |      |     |     |    |    |    |    |     |    | 36   | 108  |    |                            |                 |                  |

The item code means the cone mount with washers; it's possible to order only the cone mount.

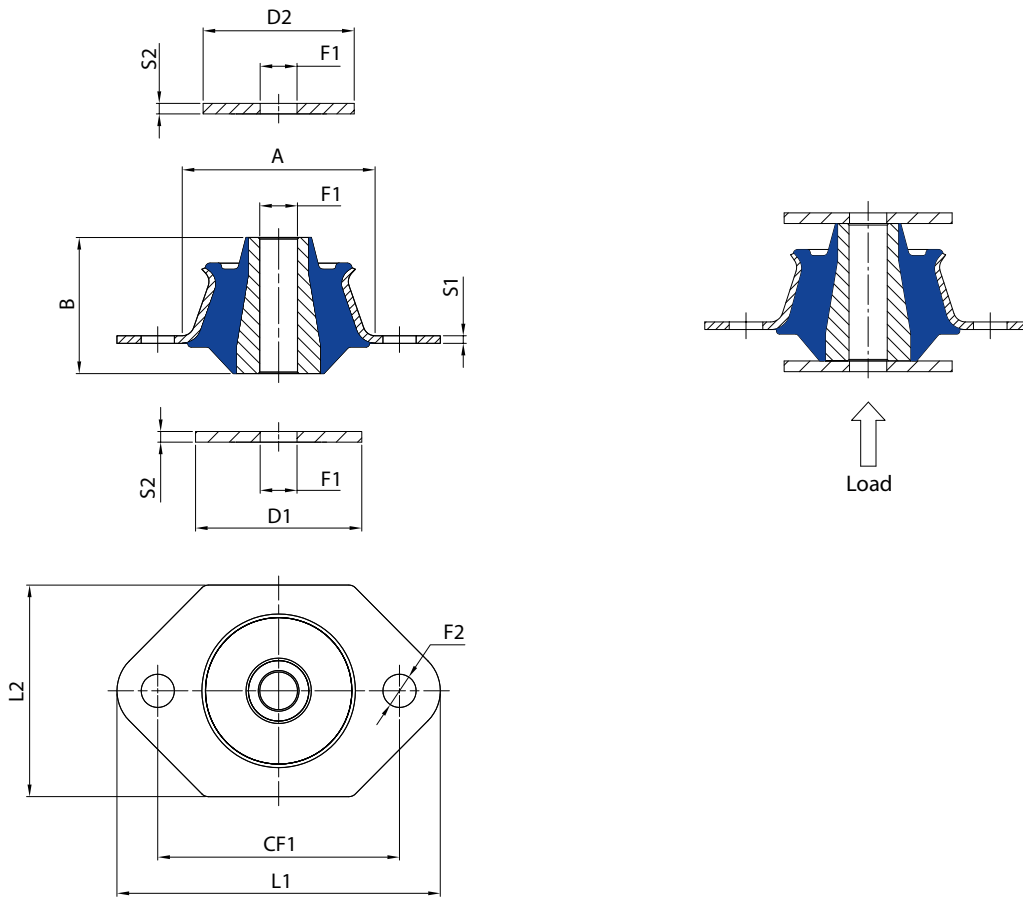
## Type CN



| Item        | Hardness (IRHD) | A  | B    | CF1 | CF2 | L1 | L2 | F1 | S1 | F2  | D1 | D2 | F1 | S2 | Average Stiffness (daN/mm) | Max. Load (daN) | Max Deflec. (mm) |
|-------------|-----------------|----|------|-----|-----|----|----|----|----|-----|----|----|----|----|----------------------------|-----------------|------------------|
| Cone        |                 |    |      |     |     |    |    |    |    |     |    |    |    |    |                            |                 |                  |
| Washers     |                 |    |      |     |     |    |    |    |    |     |    |    |    |    |                            |                 |                  |
| 4830CN12/1W | 45              |    |      |     |     |    |    |    |    |     |    | 9  | 36 |    |                            |                 |                  |
| 4830CN12/1M | 60              | 48 | 30,2 | 73  | -   | 89 | 54 | 12 | 2  | 8,7 | 49 | 34 | 12 | 2  | 15                         | 60              | 3                |
| 4830CN12/1H | 70              |    |      |     |     |    |    |    |    |     |    | 21 | 84 |    |                            |                 |                  |

The item code means the cone mount with washers; it's possible to order only the cone mount.

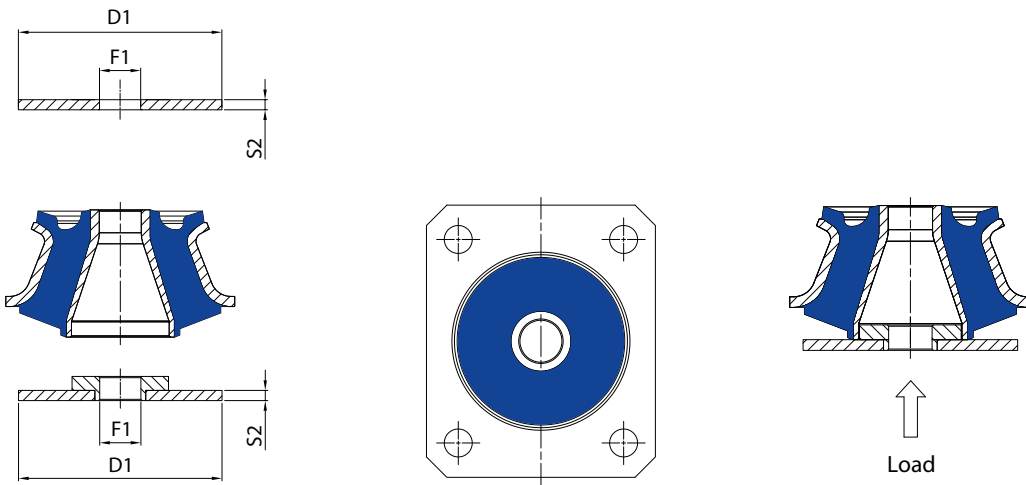
## Type CN



| Item      | Hardness (IRHD) | A    | B  | CF1 | CF2 | L1  | L2 | F1   | S1  | F2 | D1      | D2 | F1   | S2  | Average Stiffness (daN/mm) | Max. Load (daN) | Max Deflec. (mm) |
|-----------|-----------------|------|----|-----|-----|-----|----|------|-----|----|---------|----|------|-----|----------------------------|-----------------|------------------|
|           |                 | Cone |    |     |     |     |    |      |     |    | Washers |    |      |     |                            |                 |                  |
| 6051CN12W | 45              |      |    |     |     |     |    |      |     |    |         |    |      |     | 20                         | 100             |                  |
| 6051CN12M | 60              | 60   | 45 | 80  | -   | 107 | 68 | 12,1 | 2,5 | 11 | 55      | 50 | 12,2 | 3,5 | 34                         | 170             | 5                |
| 6051CN12H | 70              |      |    |     |     |     |    |      |     |    |         |    |      |     | 50                         | 250             |                  |

The item code means the cone mount with washers; it's possible to order only the cone mount.

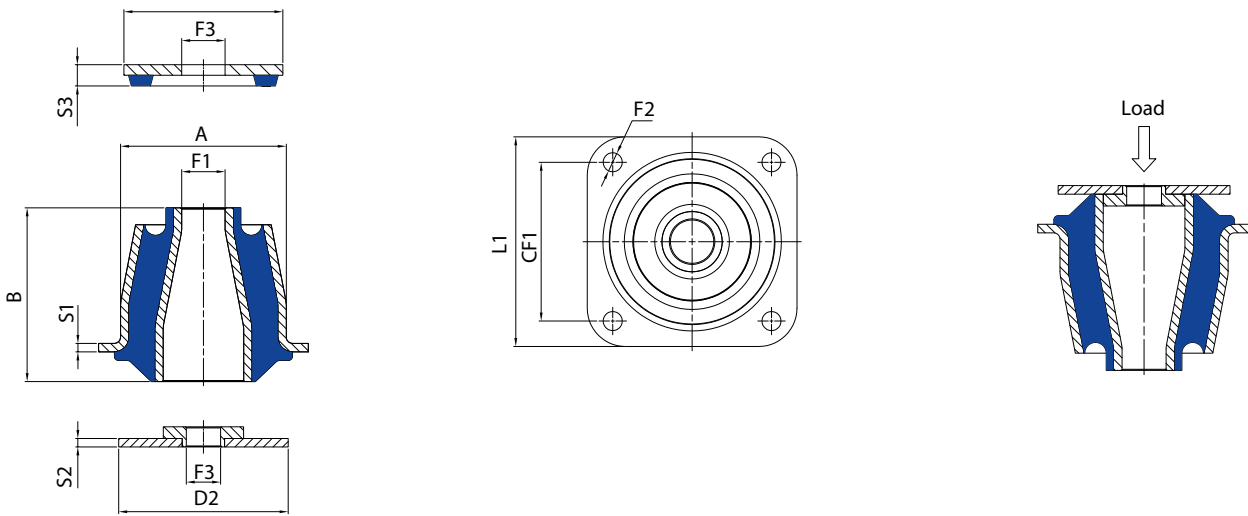
## Type CN



| Item      | Hardness (IRHD) | A  | B  | CF1 | CF2 | L1  | L2 | F1   | S1 | F2 | D1 | D2 | S2 | F1 | Average Stiffness (daN/mm) | Max. Load (daN) | Max Deflec. (mm) |
|-----------|-----------------|----|----|-----|-----|-----|----|------|----|----|----|----|----|----|----------------------------|-----------------|------------------|
|           |                 |    |    |     |     |     |    |      |    |    |    |    |    |    |                            |                 |                  |
| 7856CN16W | 45              |    |    |     |     |     |    |      |    |    |    |    |    |    | 32                         | 160             |                  |
| 7856CN16M | 60              | 78 | 50 | 80  | 65  | 107 | 90 | 16,5 | 4  | 11 | 80 | 65 | 4  | 16 | 60                         | 350             | 5                |
| 7856CN16H | 70              |    |    |     |     |     |    |      |    |    |    |    |    |    | 98                         | 488             |                  |
| 7856CN20W | 45              |    |    |     |     |     |    |      |    |    |    |    |    |    | 32                         | 160             |                  |
| 7856CN20M | 60              | 78 | 50 | 80  | 65  | 107 | 90 | 20   | 4  | 11 | 80 | 65 | 4  | 20 | 60                         | 350             | 5                |
| 7856CN20H | 70              |    |    |     |     |     |    |      |    |    |    |    |    |    | 98                         | 488             |                  |

The item code means the cone mount with washers; it's possible to order only the cone mount. For the right working of the mount, the cone must be assembled with the ringed washer.

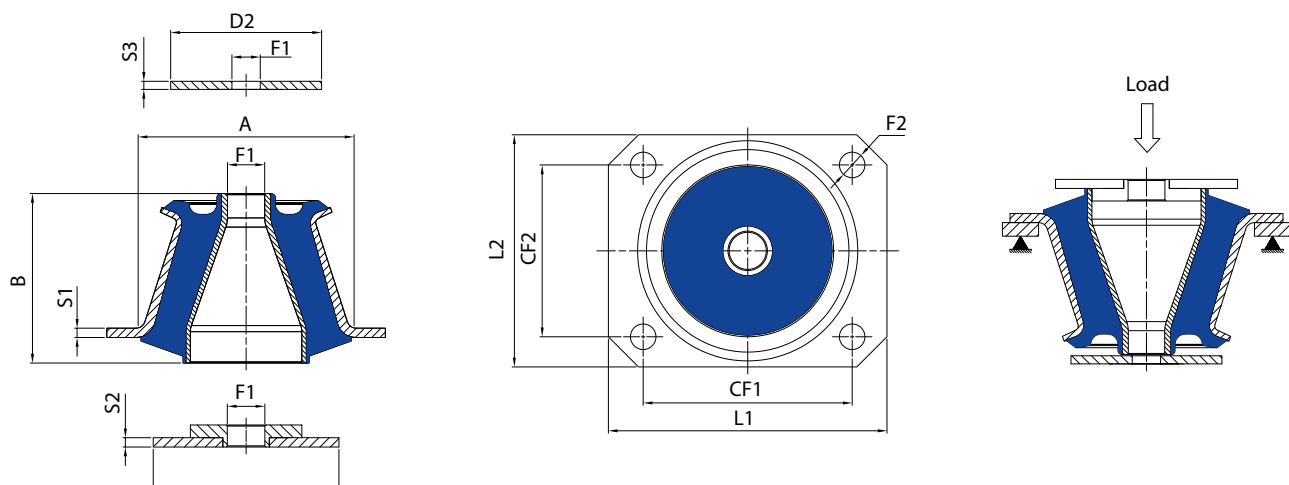
## Type CN



| Item      | Hardness (IRHD) | A    | B  | CF1 | F1   | F2 | S1 | L1      | D2 | S2 | D3 | S3 | F3   | Average Stiffness (daN/mm) | Max. Load (daN) | Max Deflec. (mm) |
|-----------|-----------------|------|----|-----|------|----|----|---------|----|----|----|----|------|----------------------------|-----------------|------------------|
|           |                 | Cone |    |     |      |    |    | Washers |    |    |    |    |      |                            |                 |                  |
| 7882CN20W | 45              |      |    |     |      |    |    |         |    |    |    |    |      | 42                         | 336             |                  |
| 7882CN20M | 60              | 78   | 82 | 75  | 20,5 | 9  | 4  | 99      | 80 | 4  | 74 | 10 | 20,5 | 85                         | 680             | 8                |
| 7882CN20H | 70              |      |    |     |      |    |    |         |    |    |    |    |      | 132                        | 1056            |                  |

The item code means the cone mount with washers; it's possible to order only the cone mount. For the right working of the mount, the cone must be assembled with the ringed washer.

## Type CN

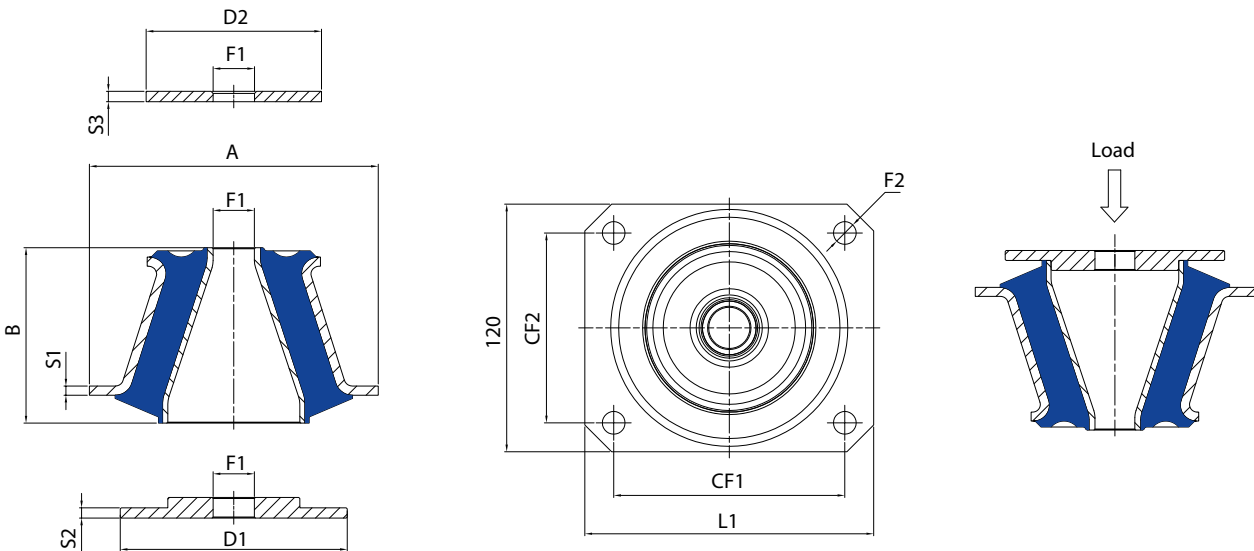




| Item      | Hardness (IRHD) | A    | B  | CF1 | CF2 | F1 | F2 | S1 | L1  | L2  | D1 | D2      | S2 | S3 | Average Stiffness (daN/mm) | Max. Load (daN) | Max Deflec. (mm) |  |
|-----------|-----------------|------|----|-----|-----|----|----|----|-----|-----|----|---------|----|----|----------------------------|-----------------|------------------|--|
|           |                 | Cone |    |     |     |    |    |    |     |     |    | Washers |    |    |                            |                 |                  |  |
| 9381CN16W | 45              |      |    |     |     |    |    |    |     |     |    |         |    |    | 75                         | 450             |                  |  |
| 9381CN16M | 60              | 93   | 73 | 90  | 74  | 16 | 11 | 4  | 120 | 100 | 85 | 70      | 5  | 4  | 140                        | 840             | 6                |  |
| 9381CN16H | 70              |      |    |     |     |    |    |    |     |     |    |         |    |    | 235                        | 1410            |                  |  |

The item code means the cone mount with washers; it's possible to order only the cone mount. For the right working of the mount, the cone must be assembled with the ringed washer.

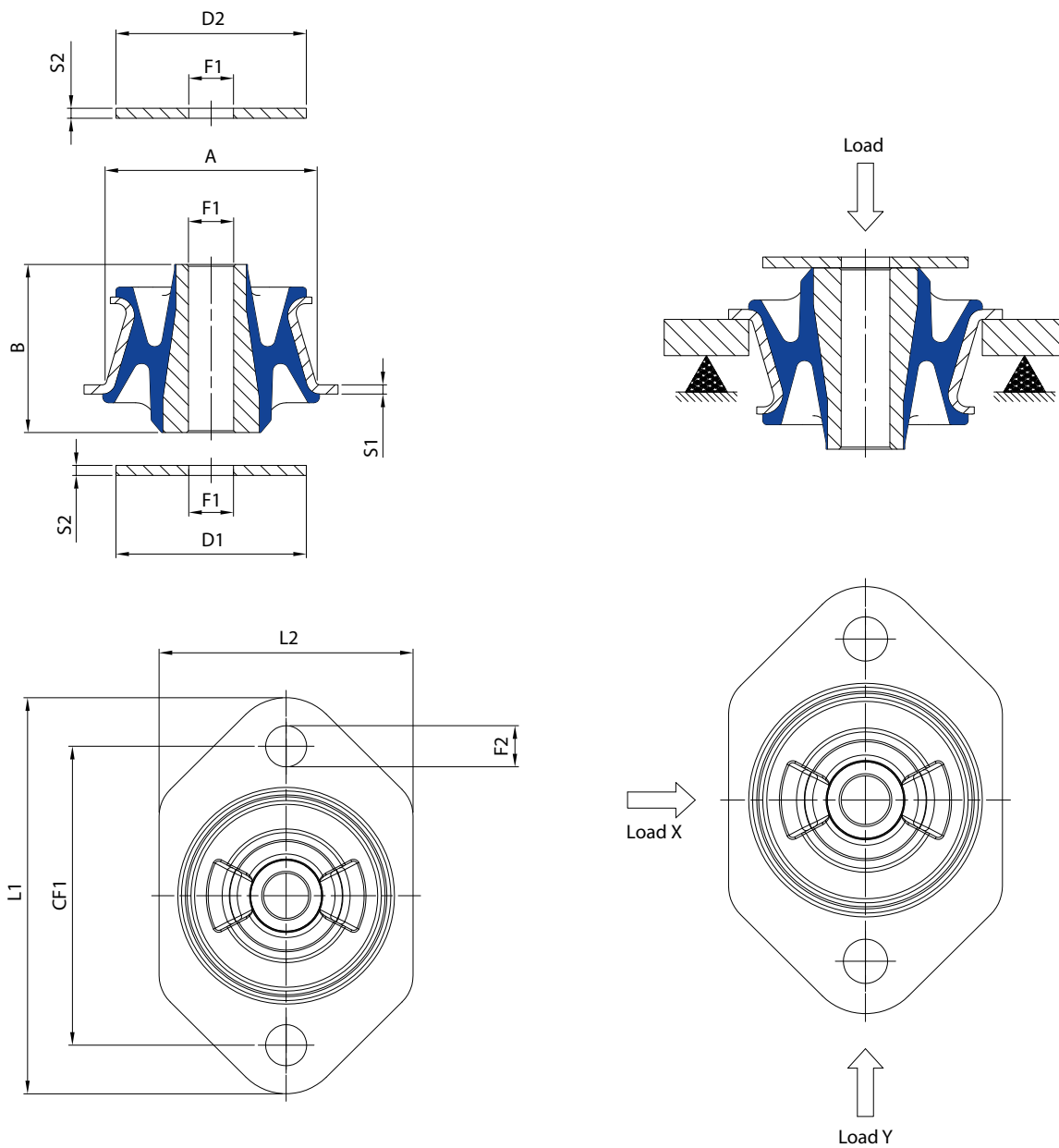
## Type CN



| Item       | Hardness (IRHD) | A    | B  | CF1 | CF2 | F1 | F2 | S1  | L1  | L2  | D1  | D2      | S2 | S3 | Average Stiffness (daN/mm) | Max. Load (daN) | Max Deflec. (mm) |  |
|------------|-----------------|------|----|-----|-----|----|----|-----|-----|-----|-----|---------|----|----|----------------------------|-----------------|------------------|--|
|            |                 | Cone |    |     |     |    |    |     |     |     |     | Washers |    |    |                            |                 |                  |  |
| 10995CN20W | 45              |      |    |     |     |    |    |     |     |     |     |         |    |    | 115                        | 460             | 4                |  |
| 10995CN20M | 60              | 109  | 85 | 112 | 92  | 20 | 11 | 4.5 | 140 | 120 | 110 | 80      | 5  | 5  | 250                        | 1125            | 4,5              |  |
| 10995CN20H | 70              |      |    |     |     |    |    |     |     |     |     |         |    |    | 370                        | 1850            | 5                |  |

The item code means the cone mount with washers; it's possible to order only the cone mount. For the right working of the mount, the cone must be assembled with the ringed washer.

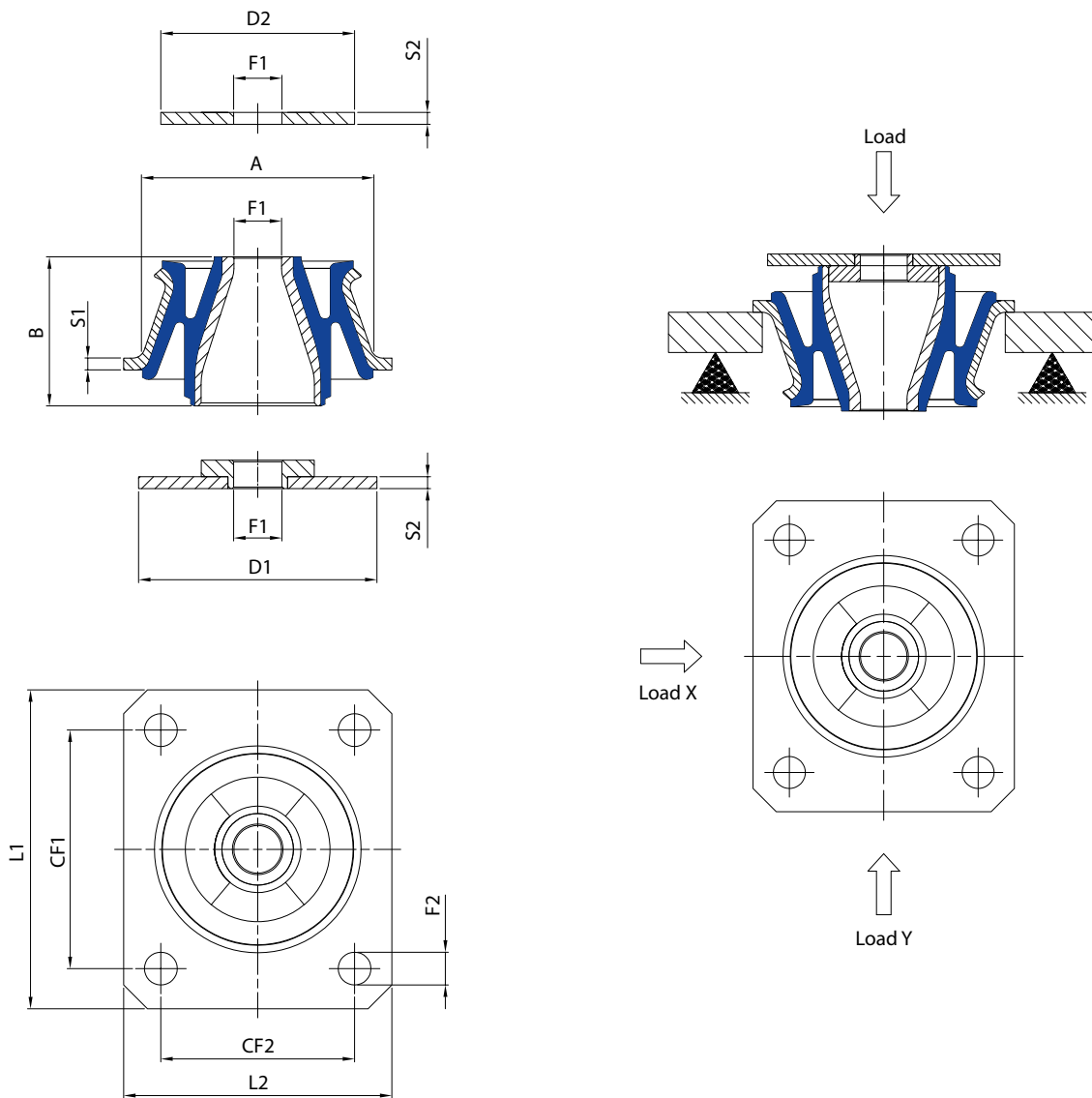
## Type CNA



| Item       | Hardness (IRHD) | A    | B  | CF1 | CF2 | L1  | L2      | F1   | S1  | F2 | D1 | D2 | F1   | S2  | Average Stiffness Z (daN/mm) | Max. Load (daN) | Max Deflec. (mm) | Average Stiffness X (daN/mm) | Average Stiffness Y (daN/mm) |
|------------|-----------------|------|----|-----|-----|-----|---------|------|-----|----|----|----|------|-----|------------------------------|-----------------|------------------|------------------------------|------------------------------|
|            |                 | Cone |    |     |     |     | Washers |      |     |    |    |    |      |     |                              |                 |                  |                              |                              |
| 6051CNA12W | 45              |      |    |     |     |     |         |      |     |    |    |    |      |     | 15,5                         | 92,5            |                  | 31                           | 53                           |
| 6051CNA12M | 60              | 60   | 45 | 80  | -   | 107 | 70      | 12,1 | 2,5 | 11 | 55 | 50 | 12,2 | 3,5 | 28                           | 140             | 5                | 56                           | 85                           |
| 6051CNA12H | 70              |      |    |     |     |     |         |      |     |    |    |    |      |     | 40                           | 200             |                  | 80                           | 120                          |

The item code means the cone mount with washers; it's possible to order only the cone mount.

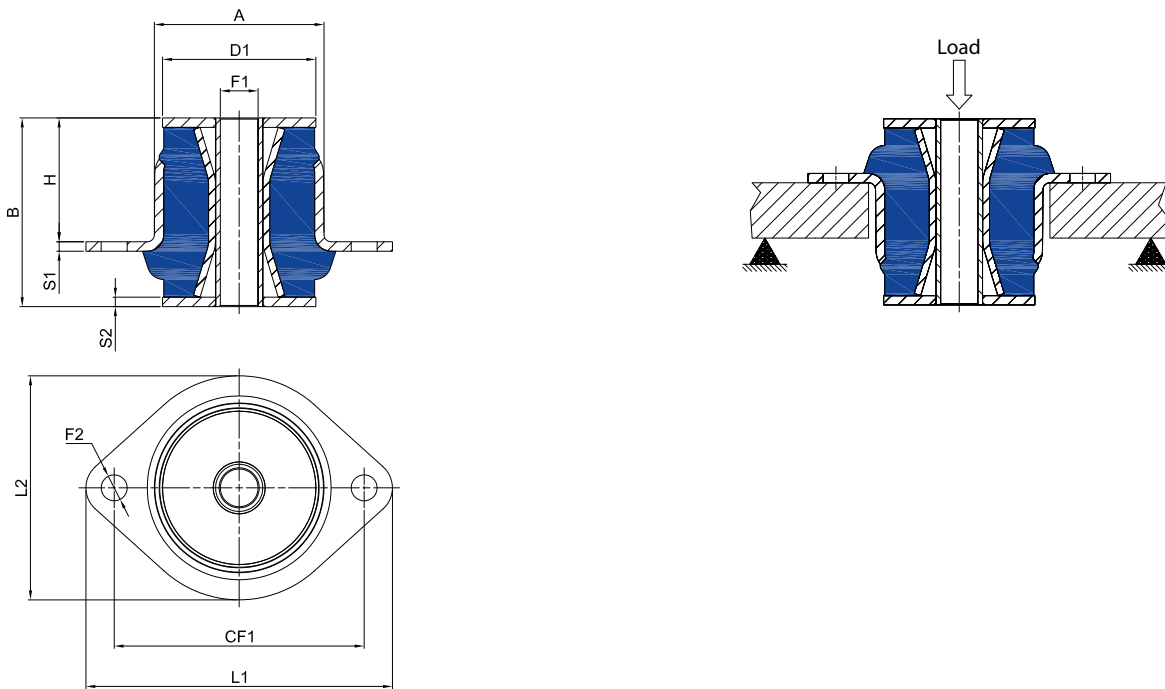
## Type CNA



| Item       | Hardness (IRHD) | Cone |    |     |     |     |    |      |    |    | Washers |    |    |    | Average Stiffness Z (daN/mm) | Max. Load (daN) | Max Deflec. (mm) | Average Stiffness X (daN/mm) | Average Stiffness Y (daN/mm) |
|------------|-----------------|------|----|-----|-----|-----|----|------|----|----|---------|----|----|----|------------------------------|-----------------|------------------|------------------------------|------------------------------|
|            |                 | A    | B  | CF1 | CF2 | L1  | L2 | F1   | S1 | F2 | D1      | D2 | F1 | S2 |                              |                 |                  |                              |                              |
| 7856CNA16W | 45              |      |    |     |     |     |    |      |    |    |         |    |    |    | 24                           | 120             |                  | 31                           | 61                           |
| 7856CNA16K | 50              | 78   | 50 | 80  | 65  | 107 | 90 | 16,5 | 4  | 11 | 80      | 65 | 16 | 4  | 33                           | 165             | 5                | 36                           | 71                           |
| 7856CNA16M | 60              |      |    |     |     |     |    |      |    |    |         |    |    |    | 42                           | 210             |                  | 51                           | 100                          |
| 7856CNA16H | 70              |      |    |     |     |     |    |      |    |    |         |    |    |    | 56                           | 270             |                  | 84                           | 160                          |

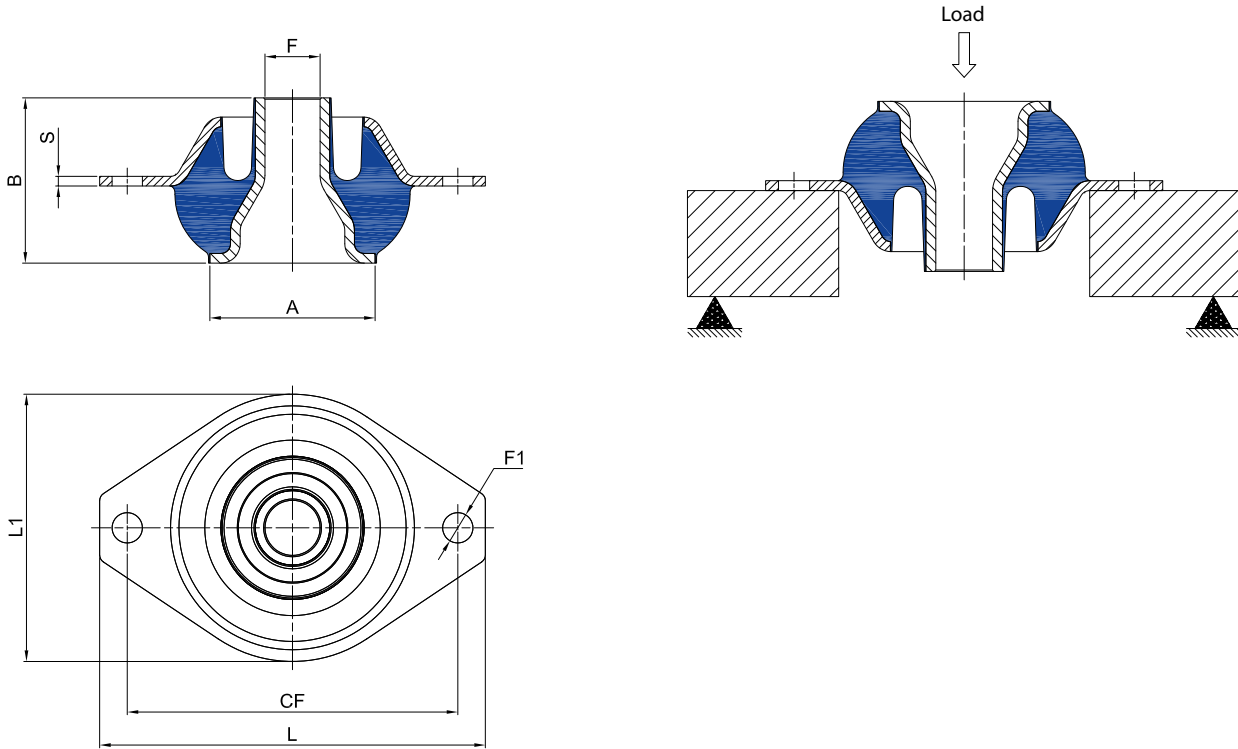
The item code means the cone mount with washers; it's possible to order only the cone mount. For the right working of the mount, the cone must be assembled with the ringed washer.

## Type FSMR



| Item      | Hardness (IRHD) | A    | B  | H  | CF1 | D1 | F1 | F2 | L1  | L2 | S1 | S2      | Average Stiffness Z (daN/mm) | Max. Load (daN) | Max Deflec. Z (mm) |  |
|-----------|-----------------|------|----|----|-----|----|----|----|-----|----|----|---------|------------------------------|-----------------|--------------------|--|
|           |                 | Cone |    |    |     |    |    |    |     |    |    | Washers |                              |                 |                    |  |
| FSMR6070W | 45              |      |    |    |     |    |    |    |     |    |    |         | 35                           | 245             |                    |  |
| FSMR6070M | 60              | 60   | 70 | 43 | 98  | 55 | 12 | 11 | 120 | 80 | 3  | 4       | 65                           | 455             | 7                  |  |
| FSMR6070H | 65              |      |    |    |     |    |    |    |     |    |    |         | 100                          | 700             |                    |  |
| FSMR7280W | 45              |      |    |    |     |    |    |    |     |    |    |         | 50                           | 300             |                    |  |
| FSMR7280M | 60              | 72   | 80 | 53 | 106 | 65 | 16 | 11 | 130 | 95 | 4  | 4       | 95                           | 570             | 6                  |  |
| FSMR7280H | 65              |      |    |    |     |    |    |    |     |    |    |         | 170                          | 850             | 5                  |  |

## Type TE



| Item     | Hardness (IRHD) | A    | B  | CF  | L   | L1 | S   | F  | F1 | Average Stiffness Z (daN/mm) | Max. Load (daN) | Max Deflec. Z (mm) |  |
|----------|-----------------|------|----|-----|-----|----|-----|----|----|------------------------------|-----------------|--------------------|--|
| TE-3074W | 45              | Cone |    |     |     |    |     |    |    |                              | 30              | 240                |  |
| TE-3074M | 60              | 60   | 60 | 120 | 140 | 97 | 3.5 | 11 | 20 | 56                           | 450             | 8                  |  |
| TE-3074H | 70              |      |    |     |     |    |     |    |    | 86                           | 670             |                    |  |

# Height Adjuster Mounts

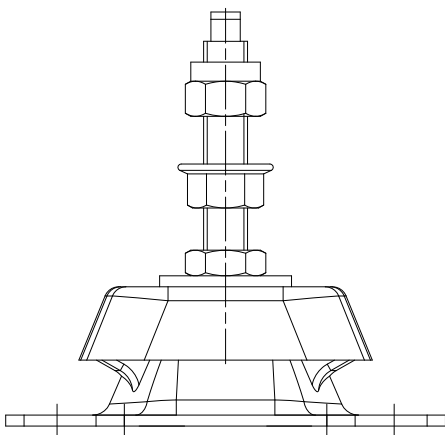
Height adjusters are available in various sizes to suit a wide range of mounts as listed in the table. The kits are supplied complete with washer and nut for fastening to the mounting, and also two nuts c/w lock washer for the engine foot fastening.

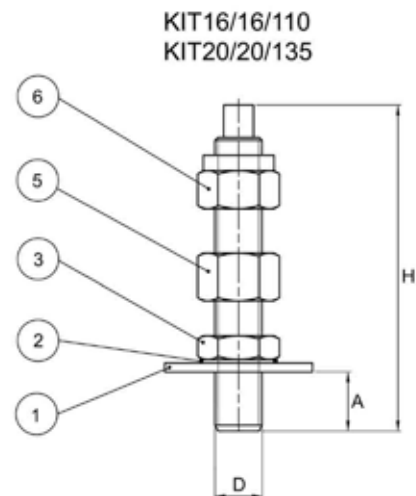
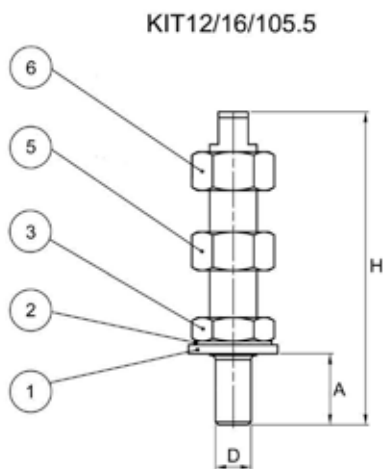
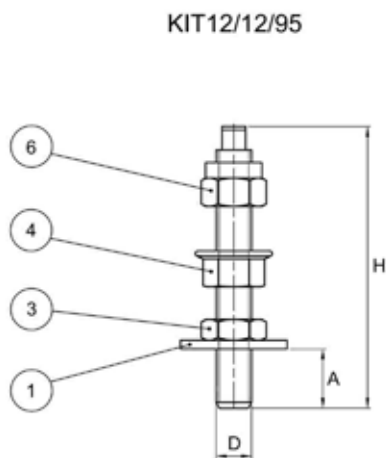
## Standard Production

- Washers: Steel DD12 (UNI EN 10111)
- Nuts: Resistance class 4 Bolts: Resistance class 4.8
- Zinc plated in accordance with CE standard CHROME VI free, white

## Options & Additional Parts

- Stainless steel version
- Screws and nuts higher class resistance version





| Nr. | Item           | H     | D   | A  | 1<br>washer | 2<br>locking washer | 3<br>bottom nut | 4<br>flange nut | 5<br>adjusting unit | 6<br>top nut |
|-----|----------------|-------|-----|----|-------------|---------------------|-----------------|-----------------|---------------------|--------------|
| 1   | KIT12/12/95    | 95    | M12 | 20 | 36X14X3     | -                   | M12             | M12             | -                   | M12          |
| 2   | KIT12/16/105.5 | 105,5 | M12 | 24 | 28X15X2,5   | ●                   | M16             | -               | M16                 | M16          |
| 3   | KIT16/16/110   | 110   | M16 | 20 | 48X17X3     | ●                   | M16             | -               | M16                 | M16          |
| 4   | KIT20/20/135   | 135   | M20 | 30 | 60X22X4     | -                   | M20             | -               | M20                 | M20          |

## Sales Locations

### **Germany:**

Fabreeka GmbH Deutschland  
Hessenring 13  
D-64572 Büttelborn  
Germany  
Tel: (49) 6152-9597-0  
Fax: (49) 6152-9597-40  
e-mail: info@fabreeka.de

### **Countries/Territories:**

Europe (without UK and Ireland),  
Israel, India, Korea, Russia,  
old Eastern Bloc Countries, Turkey

### **The United Kingdom:**

ACE Fabreeka UK  
Unit 404 Easter Park  
Haydock Lane  
Haydock WA11 9TH  
England  
Tel: +44(0) 1942 727440  
Fax: +44(0) 1942 717273  
e-mail: info@ace-fabreeka.co.uk

### **Countries/Territories:**

United Kingdom (England, Wales,  
Scotland and Northern Ireland)  
and Ireland

### **North America:**

Tech Products Corporation  
2215 Lyons Road  
Miamisburg, OH 45342  
Tel: 937-438-1100  
Fax: 937-438-2190  
e-mail: tpc@novibes.com

### **Countries/Territories:**

USA, Canada, Mexico, Latin America

### **Taiwan:**

Fabreeka International, Inc.  
PO Box 1246  
Tainan 70499  
Taiwan  
Tel: (886) 935-273-732  
or: (886) 970-273-732  
e-mail: info@fabreeka.tw

### **Countries/Territories:**

Taiwan, China, Japan, Southeast Asia  
(Brunei, Burma-Myanmar, Cambodia,  
East Timor, Indonesia, Laos, Malaysia,  
Philippines, Singapore, Thailand, Vietnam)